



MDU Solutions®

DVIS

DigiVu®

Optical Transmitter Module: (for DVIS / DVISm / DigiVu / DigiVu Mini / DigiVu CD Platforms)

- ▶ A cost-effective, edge-based & seamless solution for inserting locally generated content (eg. security cameras or localized advertising) in MDUs that are being served with a PON overlay (1550nm) or RFoG network
- ▶ Optical transmission of QAM carrier for insertion into optical network that services the MDU
- ▶ User-defined insertion wavelength ensures no optical interference with 1550nm broadcast video wavelength
- ▶ User-settable QAM frequency (in host unit) ensures that inserted QAM does not interfere with any of the 1550nm broadcast video QAMs
- ▶ All other DVIS/DVISm/DigiVu/DigiVu Mini/DigiVu CD features/specs apply



Optical Transmitter Module Specifications

OPTICAL TRANSMITTER MODULE SPECIFICATIONS		DVFTXM
INPUT		
CONNECTOR	F, 75 Ω	
MAXIMUM RF LEVEL	48 dBmV (Single QAM Carrier at 45-870 MHz) ⁽¹⁾	
RETURN LOSS	18 dB (min)	
OUTPUT		
CONNECTOR	SC/APC, 1 Port	
OPTICAL POWER	10.0 +/- 1.0 dBm	
WAVELENGTH	User Specified: ITU ch 16-46*	
MONITOR		
STATUS	Front LED	
POWER	7.5W (max)	
PHYSICAL		
DIMENSIONS	6.5"H x 1.2"W x 4.5"D (16.5H x 3.0W x 11.5D cm)	
WEIGHT	0.7 lbs (0.3 kg)	
NOTES:		
(1) Extended Tune Range 15-975 MHz. Contact ATX for details.		
* See Ordering Information. Wavelength must be provided at time of ordering.		

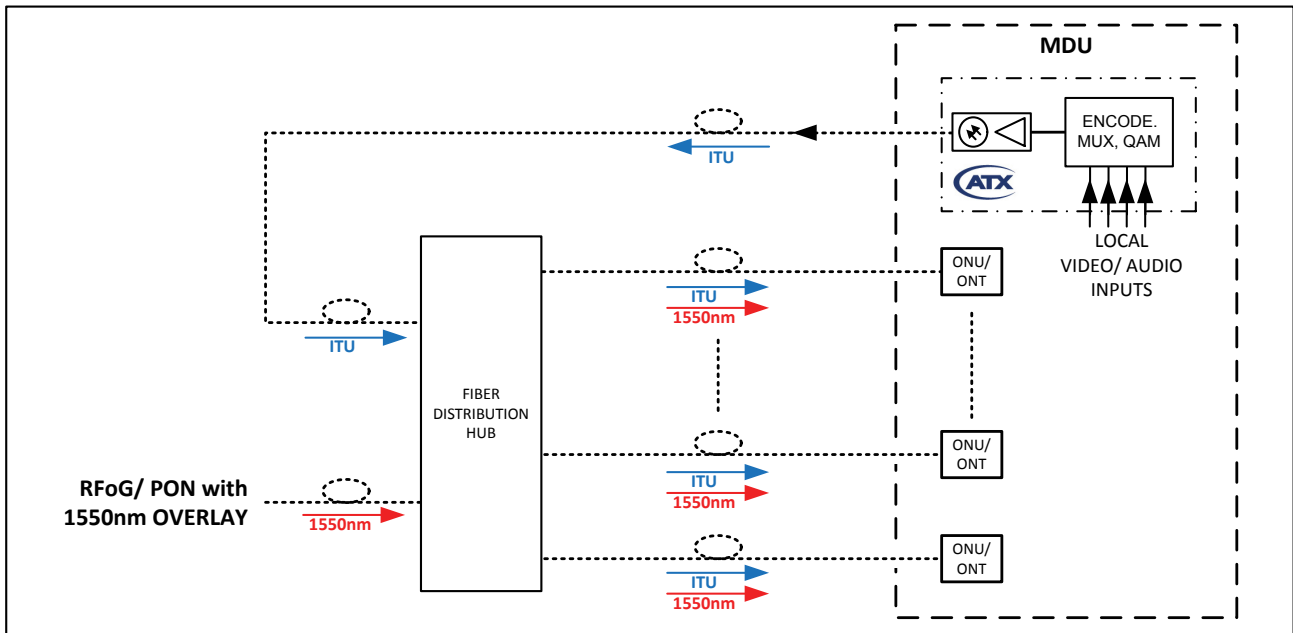
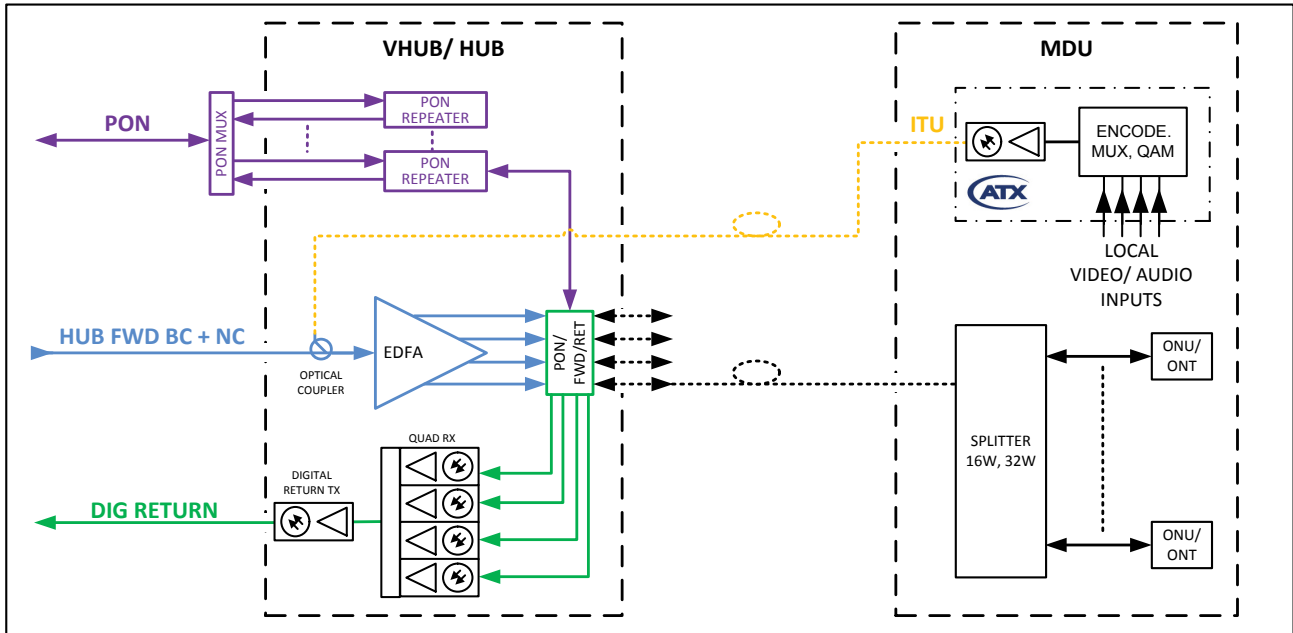


Ordering Information

Part Number	Description
DVFTXM [^]	Optical Transmitter Module (for DVIS, DVISm, DigiVu, DigiVu Mini, DigiVu CD), Single 10 dBm Output Port, [^] ITU Wavelength ([^] = 16,17...46), SC/APC Connector.

Optical Transmitter Module:
 (for DVIS / DVISm / DigiVu / DigiVu Mini / DigiVu CD Platforms)

Typical Application Diagrams



MDU Solutions® and DigiVu® are registered trademarks of ATX in the United States and/or other countries. Products or features contained herein may be covered by one or more U.S. or foreign patents. Other non-ATX product and company names mentioned in this data sheet are the property of their respective companies.

Specifications subject to change without notice.

