

SignalOn® Series

RF Signal Management



5RU Chassis
(front view)

Passive Products



Diplex Filter Modules:

Features:

- ▶ Diplex filter modules conveniently separate or combine the forward & reverse path frequency bands so that the respective signals can then be routed to the appropriate downstream, or upstream transmission equipment

Diplex Filter Specifications

SPECIFICATIONS		N-MDPXF3L / N-MDPXB3L	N-MDPXF3LH	N-MDPXF3H / N-MDPXB3H	N-MDPXF3HH
MEASUREMENT	FREQUENCY $F_{min} - F_{low} / F_{high} - F_{max}$	5-42 MHz / 54-1002 MHz (dB)	5-42 MHz / 54-1218 MHz (dB)	5-65 MHz / 88-1002 MHz (dB)	5-65 MHz / 88-1218 MHz (dB)
INSERTION LOSS (Max) LOW PORT	$< F_{low}$	1.4			
INSERTION LOSS (Max) HIGH PORT	$> F_{high}$	1.4			
FLATNESS (Max) LOW PORT	$< F_{low}$	0.5			
FLATNESS (Max) HIGH PORT	$> F_{high}$	0.5	0.8	0.5	0.8
RETURN LOSS (Min) LOW PORT	$< F_{low}$	17			
RETURN LOSS (Min) HIGH PORT	$> F_{high}$	15			
RETURN LOSS (Min) COMMON PORT	$< F_{low}$	17			
	$> F_{high}$	15			
ISOLATION (Min) LOW TO HIGH PORTS	$< F_{low}$	50			
	$F_{high} - 860$	45			
	> 860	40	38	40	38
ISOLATION (Min) ADJACENT CIRCUITS	< 860	70			
	> 860	65			



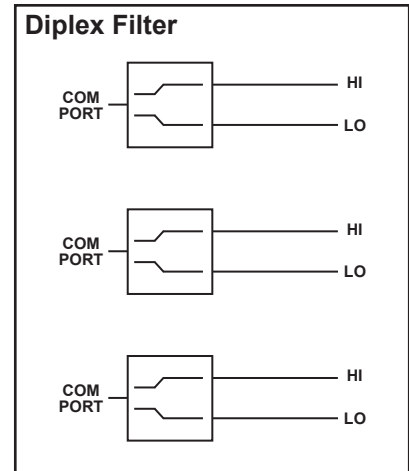
Diplex Filters
(front view)

Diplex Filter Modules:

RF Module Specifications

RF MODULE SPECIFICATIONS*	
ENVIRONMENTAL	
OPERATING TEMPERATURE	0°C to +50°C (+32°F to +122°F)
STORAGE TEMPERATURE	-40°C to +70°C (-40°F to +158°F)
STORAGE HUMIDITY	5-95% Non-condensing
ELECTRICAL	
EMI (EXTERNAL)	< -100 dBc
INTERNAL ISOLATION OF DUAL/TRIPLE MODULES	< -70 dBc
FLATNESS	Defined as MAX +/- Deviation from Linear Trend Line
IMPEDANCE	75 Ω Nominal
OTHER	
DIMENSIONS	8.25"H x 0.83"W x 4.1"D (20.96H x 2.1W x 10.4D cm)
WEIGHT	1.43 lbs (0.65 kg)
NOTE: * Unless otherwise stated by module specific table.	

Functional Schematic



Ordering Information

Part Number	Description
Domestic Diplex Filter Module	
N-MDPXF3LH	F Connector, Low 5-42 MHz, High 54-1218 MHz
N-MDPXF3L	F Connector, Low 5-42 MHz, High 54-1002 MHz
N-MDPXB3L	BNC Connector, Low 5-42 MHz, High 54-1002 MHz
International Diplex Filter Module	
N-MDPXF3HH	F Connector, Low 5-65 MHz, High 88-1218 MHz
N-MDPXF3H	F Connector, Low 5-65 MHz, High 88-1002 MHz
N-MDPXB3H	BNC Connector, Low 5-65 MHz, High 88-1002 MHz
NOTE: Other diplex split frequencies may be requested.	

SignalOn® Series is a registered trademark of ATX in the United States and/or other countries. Products or features contained herein may be covered by one or more U.S. or foreign patents. Other non-ATX product and company names mentioned in this data sheet are the property of their respective companies.



Specifications subject to change without notice.

