

# SignalOn® Series

RF Signal Management



5RU Chassis  
(front view)

## Passive Products



### Broadcast/Narrowcast Combiner:

These devices are intended to precede every downstream optical transmitter, allowing all RF content to converge and be monitored with a high level test port before applying to the transmitter.

#### Features:

- ▶ Available in 5-1002 MHz (equalized) or 5-1218 MHz (non-equalized)
- ▶ High passive isolation to support CCAP/D3.1
- ▶ Plain versions available with no port padding or monitor port
- ▶ Patented make-before-break attenuator pad design for hitless signal balancing
- ▶ Chassis supports both passive & active modules
- ▶ Clear chassis door provides protection & clear view of modules
- ▶ Clear pad cover for quick inspection of pad/EQ values
- ▶ High quality, precision F or BNC connectors
- ▶ Available in 1RU, 2RU, & 5RU chassis
- ▶ One year warranty on all passive modules
- ▶ Designed to exceed NEBS requirements for grounding/bonding
- ▶ Certifications: FCC Class B, U/L, NEBS Level 3



BC/NC Combiners  
(front view)

## Broadcast/Narrowcast Combiner Specifications

SPECIFICATIONS		N-MC*24BCNC		N-MCF24BCNCH	
MEASUREMENT	FREQUENCY	MIN (dB)	MAX (dB)	MIN (dB)	MAX (dB)
INSERTION LOSS (NC)	50 MHz	10	13	9.9	10.9
	550 MHz	10	13	10.6	11.8
	870 MHz	10	13	11.1	12.4
	1002 MHz	10	13	11.3	12.6
	1218 MHz			11.6	13
INSERTION LOSS (BC)	50 MHz	3	6	3.3	4.3
	550 MHz	3	6	4	5
	870 MHz	3	6	4.5	5.5
	1002 MHz	3	6	4.7	5.7
	1218 MHz			5	6
FLATNESS	50-1218 MHz		0.5		0.7
TEST PORT LOSS	50-1218 MHz	11	13	11	13
ISOLATION (Min) NC PORT-TO-NC PORT	50-1218 MHz	28		30	
ISOLATION (Min) NC PORT-TO-BC PORT	50-1218 MHz	32		32	
RETURN LOSS (Min) ANY PORT	50-1002 MHz	20		20	
	1002-1218 MHz			18	
<b>NOTE:</b> * = F or B (BNC) connectors.					

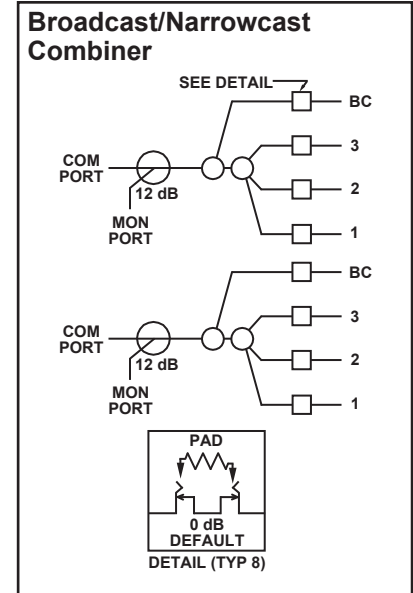
# SignalOn® Series

## Broadcast/Narrowcast Combiner:

### RF Module Specifications

RF MODULE SPECIFICATIONS*	
<b>ENVIRONMENTAL</b>	
<b>OPERATING TEMPERATURE</b>	0°C to +50°C (+32°F to +122°F)
<b>STORAGE TEMPERATURE</b>	-40°C to +70°C (-40°F to +158°F)
<b>STORAGE HUMIDITY</b>	5-95% Non-condensing
<b>ELECTRICAL</b>	
<b>EMI (EXTERNAL)</b>	< -100 dBc
<b>INTERNAL ISOLATION OF DUAL/TRIPLE MODULES</b>	< -70 dBc
<b>RETURN LOSS, TEST PORT</b>	> 16 dB
<b>FLATNESS</b>	Defined as MAX +/- Deviation from Linear Trend Line
<b>IMPEDANCE</b>	75 Ω Nominal
<b>OTHER</b>	
<b>DIMENSIONS</b>	8.25"H x 0.83"W x 4.1"D (20.96H x 2.1W x 10.4D cm)
<b>WEIGHT</b>	1.43 lbs (0.65 kg)
<b>NOTE:</b> * Unless otherwise stated by module specific table.	

### Functional Schematic



### Ordering Information

Part Number	Description
<b>1.218 GHz Dual Broadcast + 3x Narrowcast Combiners with 12 dB Test Points</b>	
N-MCF24BCNCH	1x Broadcast, 3x Narrowcast Combiner, Dual, 1.218 GHz, F Connector, 0 dB Default
<b>1 GHz Dual Broadcast + 3x Narrowcast Combiners with 12 dB Test Points</b>	
N-MCF24BCNC	1x Broadcast, 3x Narrowcast Combiner, Dual, 1 GHz, F Connector, 0 dB Default
N-MCB24BCNC	1x Broadcast, 3x Narrowcast Combiner, Dual, 1 GHz, BNC Connector, 0 dB Default

SignalOn® Series is a registered trademark of ATX in the United States and/or other countries. Products or features contained herein may be covered by one or more U.S. or foreign patents. Other non-ATX product and company names mentioned in this data sheet are the property of their respective companies.



Specifications subject to change without notice.

