



Product Overview

Diplex Filter:

Features & Benefits:

- ▶ Power passing up to 6 Amps
- ▶ LED to indicate power
- ▶ Compact housing
- ▶ Completely sealed, cast housing
- ▶ Wall mount flanges
- ▶ Grounding screws

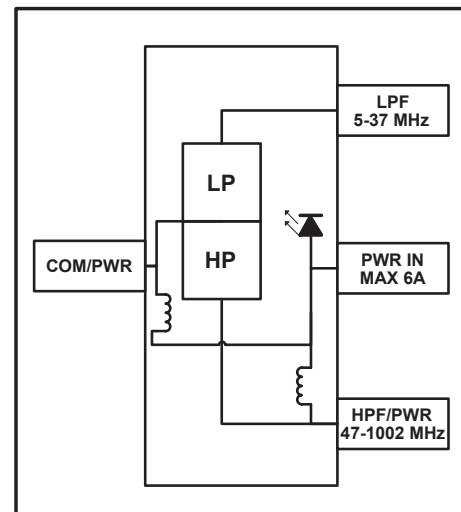
Diplex Filter Specifications

SPECIFICATIONS		DM9655-37/47
MEASUREMENT	FREQUENCY	QA SPEC
INSERTION LOSS COMMON to L	3-37 MHz	≤ 1.5 dB
	47-450 MHz	≥ 40 dB
	451-870 MHz	≥ 38 dB
	871-1002 MHz	≥ 32 dB
INSERTION LOSS COMMON to H	5-37 MHz	≥ 40 dB
	47-150 MHz	≤ 1.6 dB
	151-450 MHz	≤ 0.8 dB
	451-870 MHz	≤ 1.2 dB
ISOLATION L & H	871-1002 MHz	≤ 1.5 dB
	5-37 MHz	≥ 40 dB
	47-450 MHz	≥ 40 dB
	451-870 MHz	≥ 38 dB
RETURN LOSS - L	871-1002 MHz	≥ 32 dB
	5-37 MHz	≥ 20 dB
RETURN LOSS - H	47-1002 MHz	≥ 20 dB
RETURN LOSS COMMON	5-450 MHz	≥ 20 dB
	451-1002 MHz	≥ 18 dB
GROUP DELAY (COM to L)	35.5-37 MHz	≤ 20nS
GROUP DELAY (COM to H)	47-48.5 MHz	≤ 20nS
OPERATING TEMPERATURE	-20°C to +65°C (-4°F to +149°F)	
HUMIDITY	5-95% (without condensation)	
DIMENSIONS	0.71"H x 3.38"W x 2.98"D (1.8H x 8.57W x 7.56D cm)	
WEIGHT	0.3 lbs (0.14 kg)	



Diplex Filter

Functional Schematic



Ordering Information

Part Number	Description
DM9655-37/47	Diplex Filter - 37/47 MHz Split

DigiMAX® is a registered trademark of ATX in the United States and/or other countries. Products or features contained herein may be covered by one or more U.S. or foreign patents. Other non-ATX product and company names mentioned in this data sheet are the property of their respective companies.



Specifications subject to change without notice.

