



## Product Overview

### Power Stripper with RF Bypass & Duplex Outlet:

- ▶ Accepts AC line power with RF and provides RF bypass with high isolation & duplex outlet to power ancillary equipment such as EMTA
- ▶ Rugged metal housing suitable for wall mount
- ▶ LED provides visual indication of power present
- ▶ Utilizes standard 75 ohm F connectors for AC-RF in & RF bypass out

### Power Stripper Specifications

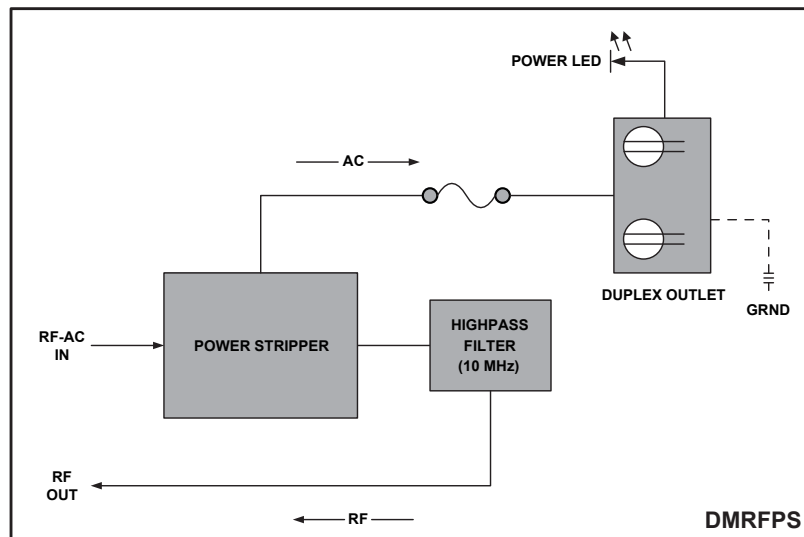
| SPECIFICATIONS        | DMRFPS  |
|-----------------------|---|
| POWER PASSING (Max)   | 3A, 90 VAC  |
| IMPEDANCE             | 75 Ω  |
| RETURN LOSS           | < 20 dB   |
| INSERTION LOSS        | >1 dB   |
| RFI                   | 100 dB Typical                                    |
| FUSE RATING           | 3 Amp   |
| CONNECTOR             | F-type  |
| STATUS INDICATOR      | Power LED   |
| OPERATING TEMPERATURE | -20°C to +65°C (-4°F to +149°F)                   |
| HUMIDITY              | 5-95% (without condensation)                      |
| DIMENSIONS            | 2.0"H x 5.5"W x 2.5"D (5.08H x 13.97W x 6.35D cm) |
| WEIGHT                | 0.45 lbs (0.20 kg)                                |



### Ordering Information

| Part Number | Description                  |
|-------------|------------------------------|
| DMRFPS      | DigiMAX RF/AC Power Stripper |

### Functional Schematic



DigiMAX<sup>®</sup> is a registered trademark of ATX in the United States and/or other countries. Products or features contained herein may be covered by one or more U.S. or foreign patents. Other non-ATX product and company names mentioned in this data sheet are the property of their respective companies.

Specifications subject to change without notice.

