



Compact Multichannel MPEG-2 Encoder/Multiplexer (DigiVu Mini) - IP Output:

Features:

- ▶ Compact & flexible audio/video encoding solution for digital transmission and/or insertion applications
- ▶ A cost-effective & space-efficient encoding, multiplexing & transmission platform ideal for digital simulcast applications or digital delivery of PEG or hub site specific programming
- ▶ Scalable 1RU (19" rack mount) solution: up to 2 A/V programs can be directly encoded/multiplexed with IP output
- ▶ Hot-pluggable 1-channel & 2-channel encoder cards available for easy upgrade & unit configuration
- ▶ Hot-pluggable IP output card (copper/SFP optical)
- ▶ Plug-in cards are externally accessible & easily replaceable; no need to open or remove unit from rack
- ▶ Fully integrated system components
- ▶ Front accessible & replaceable fans with in-line fan connector
- ▶ HTTP-based GUI allows for easy set-up & control without the need for proprietary software installation
- ▶ Remote access & SNMP monitoring available via integrated RJ45 Ethernet interface
- ▶ Includes the following operational modes (set through GUI): IP output only, IP+QAM output simultaneously, & QAM output only (please see appropriate spec sheet for IP/QAM specs)



Ordering Information

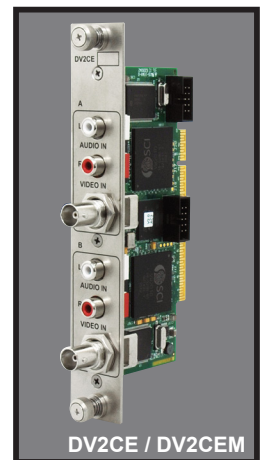
Part Number	Description
DGVU1RU*IP ⁽¹⁾	Compact Multichannel Digital Encoder with * A/V Baseband Inputs (* = Number of Inputs, ie. 1 or 2).
DV1CE ⁽¹⁾	Separate 1-channel Encoder Plug-in Card (1 Video + 2 Audio Inputs) for Subsequent Plug-in Installation.
DV2CE ⁽¹⁾	Separate 2-channel Encoder Plug-in Card (2 Video + 4 Audio Inputs) for Subsequent Plug-in Installation.
NOTE:	
(1) To order PAL/MPEG-1 Layer II Encoding, add letter M to the end of part number.	

Compact Multichannel MPEG-2 Encoder/Multiplexer (DigiVu Mini) - IP Output:

DigiVu Mini - IP Output Specifications

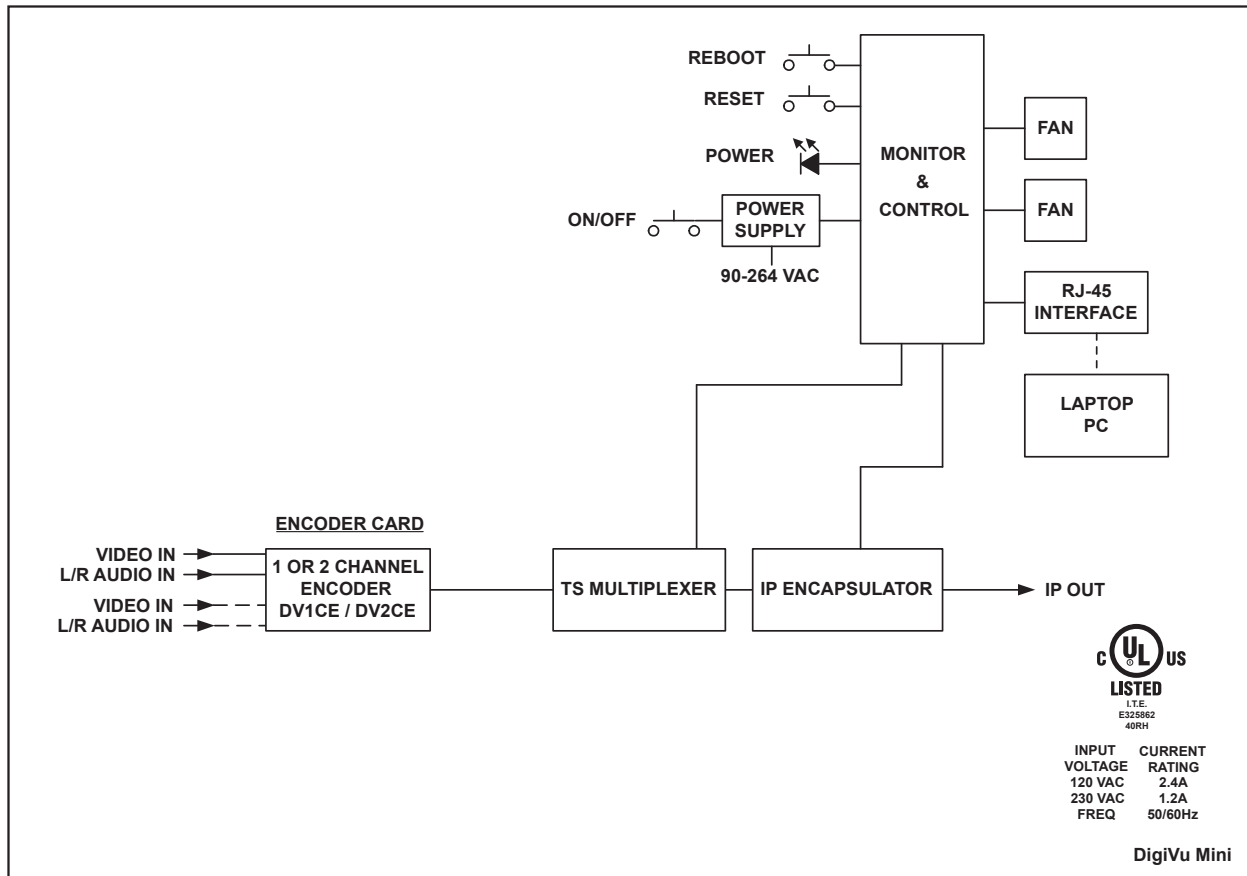
BASE PLATFORM SPECIFICATIONS	
CHASSIS OVERVIEW	
SIZE	1.75"H x 19.0"W x 16.5"D (4.45H x 48.26W x 41.91D cm); 19" Rack Mount (1RU)
EXPANSION CARD SLOTS	2
ENCODED PROGRAMS	Up to 2, Scalable (plug-in cards with 1 or 2 encoders per card)
POWER SUPPLY	IEC Connector/ 90-264 VAC, 50/60Hz
POWER CONSUMPTION	43W
DEVICE MANAGEMENT	HTTP/SNMP Network Interface (RJ45)
OPERATING TEMPERATURE	0°C to +50°C (+32°F to +122°F)
HUMIDITY	0-95% (without condensation)
TS MULTIPLEXER	
PACKET SIZE	188 Bytes
TS SUPPORT	QBA, AF
PROGRAM NUMBER & TS NUMBER	User Settable (Program #: 1-65535; TS ID: 1-65535)
PSI / SI INFORMATION TABLE (PAT, PMT)	Automatically Generated
SETTABLE PIDs	PMT, PCR (0x0015-0x1FFE; dec. 21-8190)
GIGABIT ETHERNET SPECIFICATIONS	
PHYSICAL	
COPPER PORTS	2 X RJ45
SFP PORTS	2 X SFP Cage
POWER CONSUMPTION (w/ 4 Active Ports)	~ 4W
BITRATES & STANDARDS	
RJ45 PORTS	10/100/1000BASE-T & 10/100/1000BASE-TX
SFP PORTS	1000BASE-LX
IP OUTPUT CHARACTERISTICS	
TRANSPORT LAYER	UDP, RTP
STREAMING PROTOCOL	Multicast, Unicast
NETWORK	DHCP, VLAN Tagging (IEEE 802.1Q)
ENCAPSULATION	1-7 TS Packets per Ethernet Frame
TRANSMISSION	SPTS (1 Program), MPTS (≥ 2 Programs)
NULL STUFFING	OFF, ON (User Settable Limit)

ENCODER PLUG-IN CARD SPECIFICATIONS		DV1CE / DV1CEM	DV2CE / DV2CEM
VIDEO			
INPUT	CVBS, NTSC / PAL ⁽¹⁾		
INPUT INTERFACE	1 x BNC, 75 Ohm	2 x BNC, 75 Ohm	
ENCODING FORMAT	MPEG-2, 4:2:0, MP@ML		
ENCODING BIT RATE TYPE	CBR		
VIDEO ADJUSTMENTS	Brightness, Contrast, Saturation		
VIDEO PROCESSING	TBC		
RESOLUTION	HORIZONTAL	720, 704, 544, 528, 480, 352	
	VERTICAL	480, 576	
FRAME RATE	29.97fps, 25fps		
VIDEO ENCODING BIT RATE	1 - 8 Mbps		
GOP STRUCTURE	IBBP - Length 15		
VIDEO PID SETTING	Yes (0x0015-0x1FFE; dec. 21-8190)		
VBI PROCESSING	Closed Captions		
AUDIO			
INPUT	Analog, Unbalanced		
INPUT INTERFACE	2 x RCA (pair L, R)	4 x RCA (2 x pair L, R)	
ENCODING FORMAT	Dolby® Digital AC-3, MPEG-1 Layer II ⁽¹⁾		
MODES	Stereo, Mono		
SAMPLING RATE	48 kHz		
ENCODING BIT RATES	192, 256, 384 kbps		
AUDIO PID SETTING	Yes (0x0015-0x1FFE; dec. 21-8190)		
NOTES:			
(1) DV1CE & DV2CE provide NTSC/Dolby Digital AC-3 encoding; DV1CEM & DV2CEM provide PAL/MPEG-1 Layer II encoding.			
Dolby is a registered trademark of Dolby Laboratories. Manufactured under license from Dolby Laboratories.			



Compact Multichannel MPEG-2 Encoder/Multiplexer (DigiVu Mini) - IP Output:

Functional Schematic



Specifications subject to change without notice.

