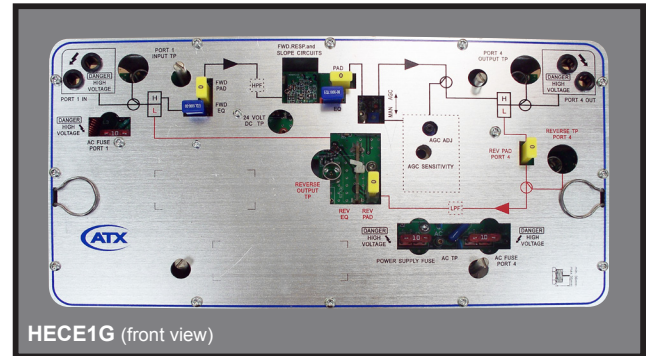


C-Cor HECE1G* 1 GHz Line Extender:

Features & Benefits:

- ▶ 1 GHz drop-in upgrade for 750 MHz C-Cor 900 series Line Extenders
- ▶ 1 GHz enables providers to economically increase forward capacity for addition of new services
- ▶ Enables reuse of legacy line extender housings eliminating cost of resplicing
- ▶ Automatic Gain Control (AGC) & Manual Gain Control (MGC) models available
- ▶ GaAs hybrid technology provides lowest noise figure & highest output capability
- ▶ With up to 36 dB of operational gain, the HECE1G is designed to accommodate all line extender applications
- ▶ AGC can accommodate both CW signal or QAM for pilot frequency
- ▶ High performance return amplifier can accommodate a wide range of return signals
- ▶ Capable of handling up to 15A of AC through-current for tough powering demands



1 GHz Line Extender Specifications

SPECIFICATIONS	MANUAL GAIN CONTROL	AUTOMATIC GAIN CONTROL	RETURN AMPLIFIER
BANDWIDTH	54 to 1002 MHz	54 to 1002 MHz	5 to 42 MHz
SLOPE (54 to 1002 MHz)	15 dB	15 dB	N/A
FLATNESS	+/- 0.75 dB	+/- 0.75 dB	+/- 0.5 dB
OPERATIONAL GAIN⁽¹⁾	36 dB	33 dB	18 dB
CHANNELS (NTSC)	79	79	6
OUTPUT LEVELS			
FREQUENCY	1002 / 870 / 750 / 550 / 54 MHz		
OUTPUT	51 / 48 / 47 / 44 / 37 dBmV ⁽³⁾		50 ⁽⁴⁾
COMP. TR. BT.⁽²⁾	73	73	69
COMP. 2ND ORD.⁽²⁾	77	77	70
NOISE FIGURE	5.5 dB	5.5 dB	3 dB
RETURN LOSS	16 dB	16 dB	16 dB
AC CURRENT PASSING	15 Amps	15 Amps	N/A
AC CURRENT @ 60V	470 mA	480 mA	N/A
AC CURRENT @ 90V	370 mA	380 mA	N/A
AGC CONTROL RANGE	N/A	3 dB	N/A
AGC CONTROL ACCURACY -40°C to +60°C (-40°F to +140°F)	N/A	+/- 1	N/A
PILOT FREQUENCY (Recommended)	N/A	439.75 MHz	N/A
NOTES:			
(1) Operating Gain is specified with 0 dB pads and 15 dB slope.			
(2) Measured with 54 MHz - 540 analog CW (6 MHz spacing) and 550 MHz - 1GHz noise at -6 dBc (average power per 6 MHz).			
(3) Specified with 0 dB pads and 15 dB slope.			
(4) Specified with 0 dB pads.			

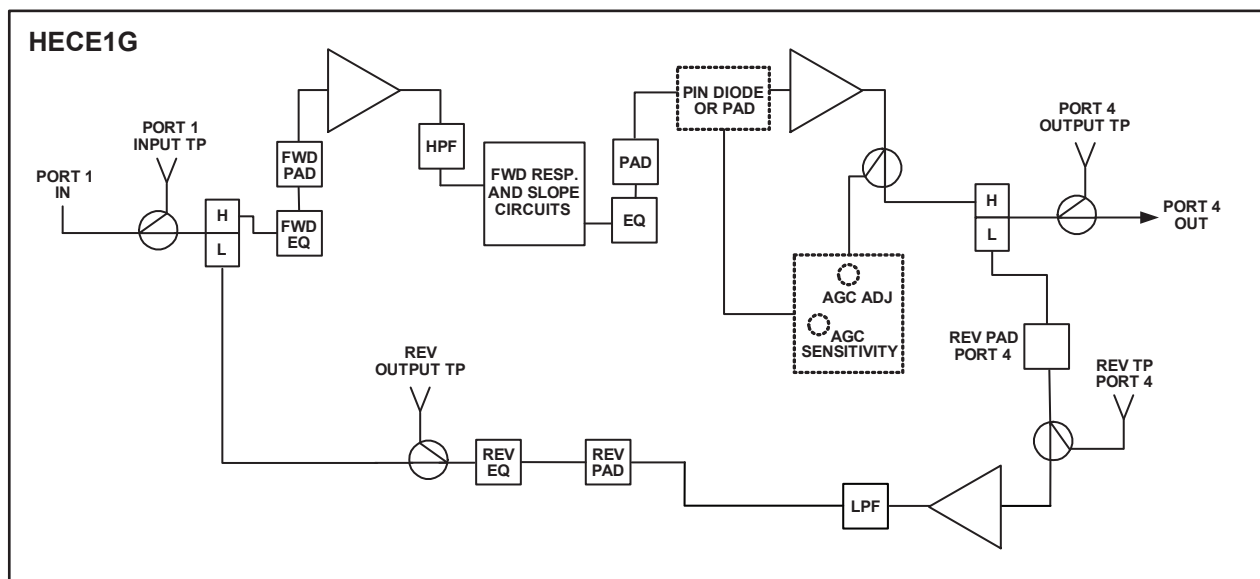
*C-Cor product names are owned by C-Cor in the United States and/or other countries.

C-Cor HECE1G* 1 GHz Line Extender:

Ordering Information

Part Number	Description
HECE1G33A	Module LE Drop-In 1 GHz 33 dB AGC C-Cor Compatible
HECE1G36M	Module LE Drop-In 1 GHz 36 dB Manual GC C-Cor Compatible
JXP-GM-XX	Forward & Return Pads/Attenuators: XX = 0 to 20 dB in increments of 1 dB
JXPEQC-XX	Forward EQ: XX = 0 to 20 dB in increments of 1 dB
QCOR42-XX	Return EQ: XX = 1 to 9 in increments of 1 dB

Functional Schematic



Specifications subject to change without notice.