



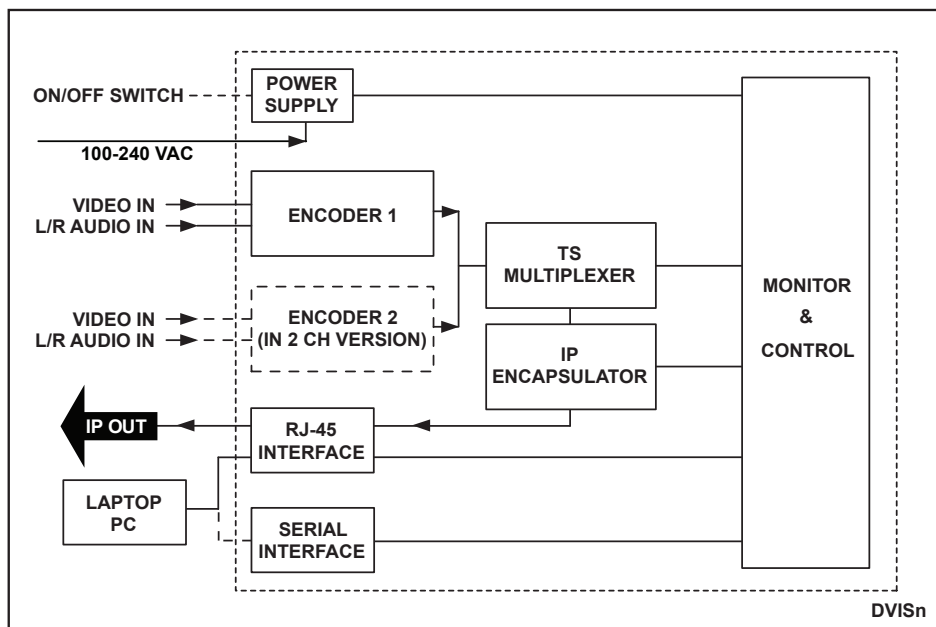
## Nano-sized Digital Video Insertion System (DVISn) - IP Output:

### Features:

- ▶ The Nano is the most cost-effective solution within the DVIS line of products for inserting locally generated content (e.g. security camera, localized advertising) to an MDU in digital format (MPEG-2 / IP)
- ▶ Ideal for applications requiring a low-cost, basic solution for IP distribution of locally generated content
- ▶ Extremely compact & wall mountable form factor fits into virtually any space
- ▶ Fully integrated audio/video encoders, multiplexer & IP encapsulator
- ▶ Available in 1 or 2 channel configurations (1 or 2 baseband CVBS inputs)
- ▶ Features support MPEG-2 encoding
- ▶ HTTP-based GUI allows for easy set-up & control using a standard web browser



### Functional Schematic



## Nano-sized Digital Video Insertion System (DVISn) - IP Output:

### DVISn - IP Output Specifications

PLATFORM SPECIFICATIONS		
<b>CHASSIS OVERVIEW</b>		
SIZE	2.3"H x 8.8"W x 4.8"D (5.84H x 22.35W x 12.19D cm), Wall Mount	
ENCODED PROGRAMS	1 or 2 Programs into 1 IP Output	
POWER SUPPLY	IEC Connector / 110-220 VAC, 50/60Hz	
POWER CONSUMPTION	25W Max.	
DEVICE MANAGEMENT	HTTP over Ethernet Network Interface (RJ45)	
OPERATING TEMPERATURE	0°C to +50°C (+32°F to +122°F)	
HUMIDITY	0 to 95% (without condensation)	
<b>TS MULTIPLEXER</b>		
PACKET SIZE	188 Bytes	
TS SUPPORT	QBA, AF	
PROGRAM NUMBER & TS NUMBER	User Settable (Program #: 1-65535; TS ID: 1-65535)	
PSI / SI INFORMATION TABLE (PAT, PMT)	Automatically Generated	
SETTABLE PIDs	PMT, PCR (0x0015-0x1FFE; dec. 21-8190)	
<b>IP OUTPUT</b>		
TRANSPORT LAYER	UDP, RTP	
STREAMING PROTOCOL	Multicast, Unicast	
ENCAPSULATION	7 TS Packets per Ethernet Frame	
TRANSMISSION	SPTS (1 Program), MPTS (2 Programs)	
IP OUT INTERFACE	1 x RJ45	
<b>ENCODER VIDEO SPECIFICATIONS</b>		
INPUT	CVBS, NTSC/PAL	
INPUT INTERFACE	1 x BNC, 75 Ohm (x 2 on Dual Channel Version)	
ENCODING FORMAT	MPEG2, 4:2:0, MP@ML	
ENCODING BIT RATE TYPE	CBR/VBR	
VIDEO ADJUSTMENTS	Brightness, Contrast, Saturation	
VIDEO PROCESSING	TBC	
SUPPORTED RESOLUTIONS	HORIZONTAL	720, 704, 544, 528, 480, 352
	VERTICAL	480, 576
FRAME RATE	29.97, 25 fps	
VIDEO ENCODING BIT RATE	1000 to 4000 kbps	
GOP STRUCTURE	IBBP - length 15	
VIDEO PID SETTING	21 - 8190	
<b>ENCODER AUDIO SPECIFICATIONS</b>		
INPUT	Analog Unbalanced	
INPUT INTERFACE	RCA (L, R) (x 2 on Dual Channel Version)	
ENCODING FORMAT <sup>(1)</sup>	Dolby Digital AC-3 <sup>(1)</sup> , MPEG1 Layer II	
SAMPLING RATE	48 kHz	
ENCODING BIT RATES	192 & 256 kbps	
AUDIO PID SETTINGS	21 - 8190	
<b>NOTE:</b>		
(1) Dolby is a trademark of Dolby Laboratories. Manufactured under license from Dolby Laboratories.		

### Ordering Information

Part Number	Description
DVNANO1IP	Single Channel Encoder Nano Digital A/V Insertion Unit - IP Output
DVNANO2IP	Dual Channel Encoder Nano Digital A/V Insertion Unit - IP Output
DNFAN	Replacement/Spare Fan for DVISn

Specifications subject to change without notice.

