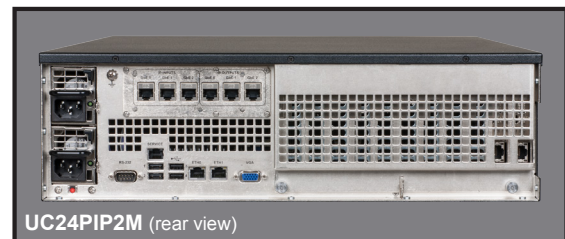




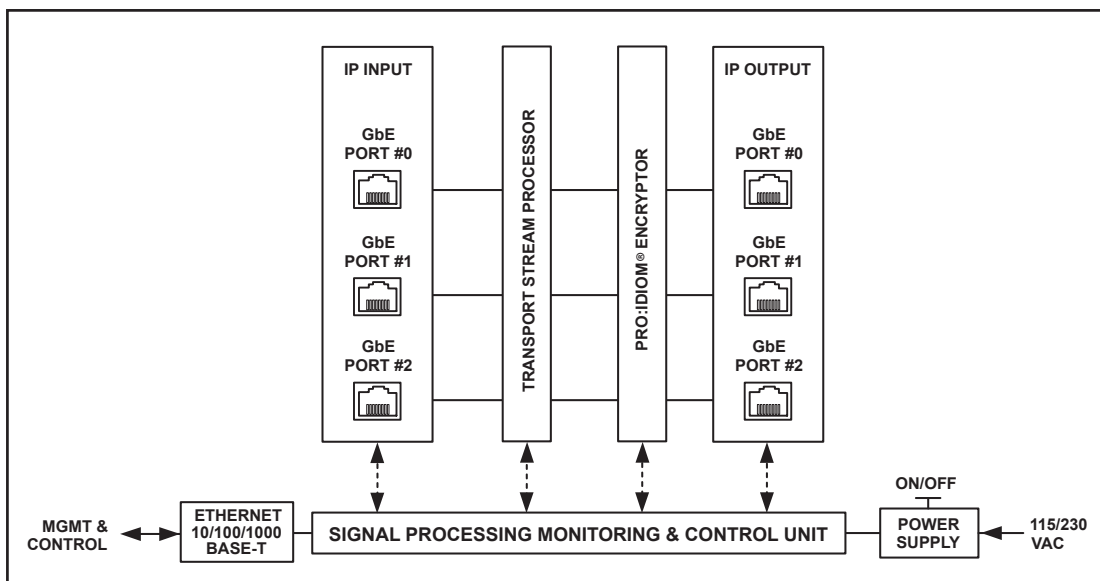
**UCrypt<sup>®</sup> IP to IP with Pro:Idiom<sup>®</sup> Encryption: \***

**Features:**

- ▶ The UCrypt<sup>®</sup> IP to IP Pro:Idiom<sup>®</sup> Encryptor offers MSOs new flexibility to deliver digital content in a protected format into commercial & hospitality locations and is ideal for applications where the consolidation of Pro:Idiom encryption at the headend or hub level is desirable
- ▶ The UCrypt IP to IP product allows the Cable Service Provider to select programs from their IP network, encrypt them with Pro:Idiom and redistribute the encrypted version of the programs over the network
- ▶ Perfect for providing content directly to commercial or hospitality environments with deployed IPTV systems or for use within other system architectures requiring Pro:Idiom encrypted content in IP format
- ▶ Support for H.264 streams
- ▶ Includes configurable line card style EPG channel
- ▶ Allows for PSIP VCT insertion for customizing virtual channel lineup on property TVs
- ▶ Includes an easy-to-use HTTP-based management interface which allows an operator to monitor, manage & configure the product locally or remotely
- ▶ Built on a scalable architecture that allows the Cable Service Provider to grow their service offering as required



**Functional Schematic**



## UCrypt<sup>®</sup> IP to IP with Pro:Idiom<sup>®</sup> Encryption:

### UCrypt<sup>®</sup> IP to IP Specifications

SPECIFICATIONS	
<b>INPUT</b>	
ETHERNET	IEEE 802.3-2002,1000BASE-T (GbE)
CONNECTORS	3x RJ45; Chassis Rear
PHYSICAL PORT ADDRESS	Static IP Address or DHCP Client Mode per Port
TRANSPORT LAYER PROTOCOL	UDP
TRANSPORT STREAM SUPPORT	MPTS & SPTS
ADDRESSING	IPv4 Multicast & Unicast, Supporting all Valid IP Port Numbers
MULTICAST SUPPORT	Source Specific Multicast (SSM) and IGMP v1, 2 & 3
ENCAPSULATION	188 Bytes per TS Packet / 7 TS Packets per IP Packet
<b>TS PROCESSING</b>	
MULTIPLEXING CAPACITY	Flexible Creation of up to 24 SPTS and/or MPTS Multiplexes <sup>(1)</sup> with PAT/PMT Generation per TS
ENCRYPTION	Pro:Idiom Encrypted Multiplex or Unencrypted Multiplex
ENCRYPTION CAPACITY	Up to 24 SPTS and/or MPTS Multiplexes <sup>(1)</sup> (38.8 Mbps max each)
SUPPORTED VIDEO FORMATS	MPEG-2 MP@HL, MPEG-4 pt10 AVC/H.264 HP@L4
SUPPORTED VIDEO RESOLUTIONS	Up to 720p & 1080i
SUPPORTED AUDIO FORMATS	Dolby <sup>®</sup> Digital (AC-3), MPEG-1 L1/2
CLOSED CAPTION (CC)	Pass through original EIA 608/708 Closed Captioning
<b>OUTPUT</b>	
ETHERNET	IEEE 802.3-2002,1000BASE-T (GbE)
CONNECTORS	3x RJ45; Chassis Rear
PHYSICAL PORT ADDRESS	Static IP Address or DHCP Client Mode per Port
TRANSPORT LAYER PROTOCOL	UDP
TRANSPORT STREAM SUPPORT	MPTS & SPTS
ADDRESSING	IPv4 Multicast & Unicast, Supporting all Valid IP Port Numbers
MULTICAST SUPPORT	IGMP v1, 2 & 3
ENCAPSULATION	188 Bytes per TS Packet / 7 TS Packets per IP Packet
<b>DEVICE MANAGEMENT</b>	
MANAGEMENT INTERFACE	Local or Remote Management via Integrated Secure Web Server
MANAGEMENT INTERFACE PORT	10/100/1000BASE-T, Static IP or DHCP, RJ45, Chassis Rear
SECONDARY CRAFT PORT	10/100/1000BASE-T, Static IP, RJ45, Chassis Rear
MANAGEMENT SECURITY	3 Password Protected Tiered User Accounts
MASS DEPLOYMENT & BACKUP	Importable/Exportable Device Configuration Files
REMOTE MONITORING	Integrated SNMP Agent & MIB
ALARMS	Email Notification, SNMP Traps
<b>EAS</b>	
MODES	Support for ANSI/SCTE 18 Compliant & Non-compliant Devices
<b>PHYSICAL &amp; ENVIRONMENTAL</b>	
FORM FACTOR	3RU, 19" Rack Mount
DIMENSIONS	5.25"H x 19.0"W x 22.8"D (13.34H x 48.26W x 57.91D cm)
WEIGHT (Max)	39.3 lbs (17.8 kg)
POWERING	2.5 Amps @ 115 VAC, 1.2 Amps @ 230 VAC Fully Redundant 520W Power Supply Modules, Hot-swappable
ELECTRICAL APPROVAL	Approved to UL 60950-1, 2nd Edition (File E325862)
POWER CONTROL	Software Power Control
OPERATING TEMPERATURE	0°C to +40°C <sup>(2)</sup> (+32°F to +104°F)
HUMIDITY	0-95% Non-condensing
<b>NOTES:</b>	
(1) Depends upon ordered hardware options.	
(2) For details on exceeding +30°C, please refer to the UCrypt Environment & Temperature Considerations Info Sheet (#ANW1066). Dolby is a registered trademark of Dolby Laboratories. Manufactured under license from Dolby Laboratories.	

## UCrypt® IP to IP with Pro:Idiom® Encryption:

### Ordering Information

Part Number	Description
<b>IP to PRO:IDIOM IP</b>	
UC24PIP2M	IP to IP; 24 Pro:Idiom Encrypted MPTS Outputs
UC16PIP2M	IP to IP; 16 Pro:Idiom Encrypted MPTS Outputs
UC8PIP2M	IP to IP; 8 Pro:Idiom Encrypted MPTS Outputs
UC24PIP2S	IP to IP; 24 Pro:Idiom Encrypted SPTS Outputs
UC16PIP2S	IP to IP; 16 Pro:Idiom Encrypted SPTS Outputs
<b>POST SALE SOFTWARE UPGRADES</b>	
UCUG8MIP	Software Upgrade - Add 8 MPTS (for "MPTS" versions)
UCUG8SIP	Software Upgrade - Add 8 SPTS (for "SPTS" versions)
UCUGS2M16	Software Upgrade - Convert 16 SPTS to 16 MPTS
UCUGS2M24	Software Upgrade - Convert 24 SPTS to 16 MPTS
UCFAN	External Replacement Fan for UCrypt

\* Any use of the UCrypt product, directly or indirectly, for the decryption and unauthorized reproduction of content that constitutes or may constitute copyright infringement or otherwise infringes on the proprietary rights of any third party is expressly prohibited. No user of UCrypt shall use UCrypt for any purpose or in any manner which, directly or indirectly, violates the law, violates the proprietary rights of any other party, or aids in any unlawful act or undertaking including, without limitation, laws governing data privacy, international data transmission, and export of technology or data. Any multiple systems operator or other similar party ("MSO") will use the UCrypt product in strict compliance with all applicable laws and in compliance with any agreement in effect between the MSO and a content provider. In no event shall ATX Networks Corp. or any of its affiliates be liable to an MSO, any end user of the UCrypt product, or any other third party, for any claims arising out of or related to any use or misuse of the UCrypt product in contravention of this disclaimer. It is the express obligation of an MSO to convey this disclaimer to any other end user of the UCrypt product.

MDU Solutions® and UCrypt® are registered trademarks of ATX in the United States and/or other countries. Products or features contained herein may be covered by one or more U.S. or foreign patents. Pro:Idiom®, Dolby® and other non-ATX product and company names mentioned in this data sheet are the property of their respective companies.



Specifications subject to change without notice.

