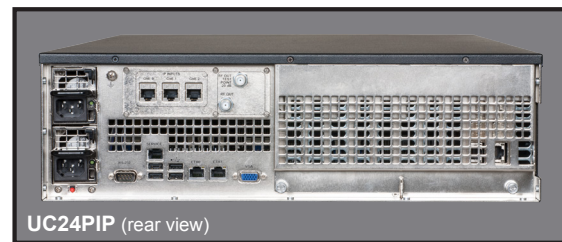




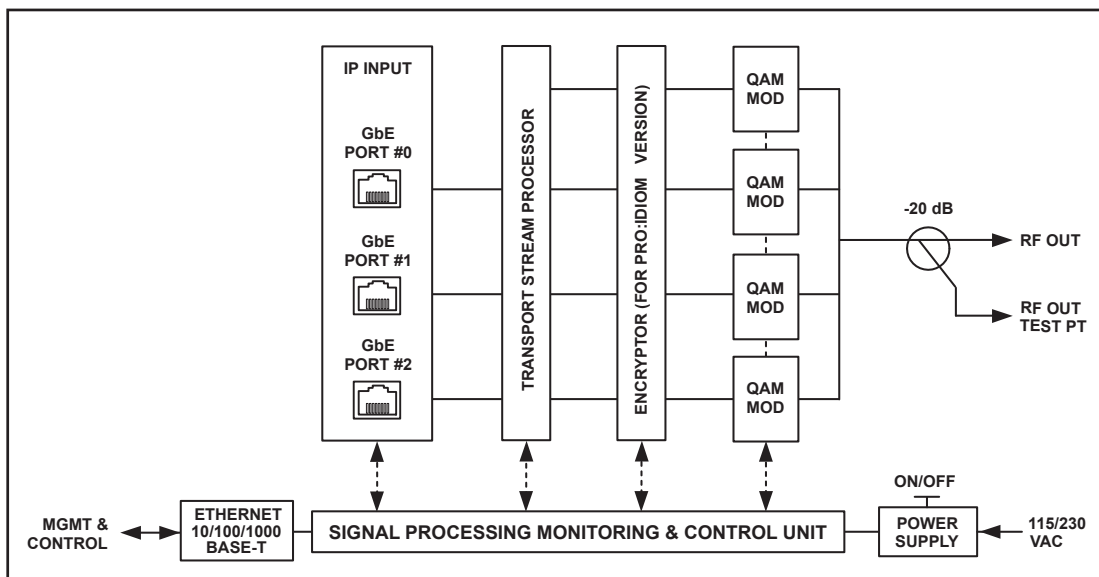
UCrypt[®] IP to QAM with Pro:Idiom[®] Encryption: *

Features:

- ▶ UCrypt[®] IP to QAM product offering allows MSOs to ingest content from their IP video network, remultiplex & encrypt it with Pro:Idiom[®] (or leave in-the-clear) for transmission via 64 or 256 QAM
- ▶ The UCrypt IP to QAM allows MSOs to deliver digital content in a protected format into hospitality locations where set-top box deployment is not practical or desired
- ▶ Ideal for applications where the end customer is connected directly via fiber or dedicated node to the headend or hub
- ▶ Support for H.264 streams
- ▶ Includes configurable line card style EPG channel
- ▶ Allows for PSIP VCT insertion for customizing virtual channel lineup on property TVs
- ▶ Includes an easy-to-use management interface which allows users to select programs to be encrypted with Pro:Idiom and assign them to output QAMs at any frequency
- ▶ Product configuration can easily be saved & uploaded to other products so that mass deployment can be done in a reliable & efficient manner
- ▶ The HTTP-based management interface allows operators to monitor, manage & configure the product remotely
- ▶ Features design enhancements to facilitate field upgrade of tuner & QAM modules for easy & cost-effective future channel capacity expansion



Functional Schematic



UCrypt[®] IP to QAM with Pro:Idiom[®] Encryption:

UCrypt[®] IP to QAM Specifications

SPECIFICATIONS	
INPUT	
ETHERNET	IEEE 802.3-2002,1000BASE-T (GbE)
CONNECTORS	3x RJ45; Chassis Rear
PHYSICAL PORT ADDRESS	Static IP Address or DHCP Client Mode per Port
TRANSPORT LAYER PROTOCOL	UDP
TRANSPORT STREAM SUPPORT	MPTS & SPTS
ADDRESSING	IPv4 Multicast & Unicast, Supporting all Valid IP Port Numbers
MULTICAST SUPPORT	Source Specific Multicast (SSM) and IGMP v1, 2 & 3
ENCAPSULATION	188 Bytes per TS Packet / 7 TS Packets per IP Packet
TS PROCESSING	
MULTIPLEXING CAPACITY	Flexible Creation of up to 32 SPTS and/or MPTS ⁽¹⁾ (38.8 Mbps max each) with PAT/PMT Generation per TS
ENCRYPTION	Pro:Idiom Encrypted Multiplex or Unencrypted Multiplex
ENCRYPTION CAPACITY	Up to 32 SPTS and/or MPTS Multiplexes ⁽¹⁾ (38.8 Mbps max each)
SUPPORTED VIDEO FORMATS	MPEG-2 MP@HL, MPEG-4 pt10 AVC/H.264 HP@L4
SUPPORTED VIDEO RESOLUTIONS	Up to 720p & 1080i
SUPPORTED AUDIO FORMATS	Dolby [®] Digital (AC-3), MPEG-1 L1/2
CLOSED CAPTION (CC)	Pass through original EIA 608/708 Closed Captioning
OUTPUT	
RF	Up to 32 64 QAM & 256 QAM Channels ⁽¹⁾ in Groups of 4 Adjacent QAMs
FREQUENCY RANGE	54 MHz - 1 GHz in 1 kHz Steps, Supporting STD, IRC, HRC
LEVEL	38 dBmV +/- 2 dB per Digital Carrier
MER	> 40 dB
CONNECTOR	F Connector; Chassis Rear
RF INPUT TEST	-20 dB Relative to Output; F Connector, Chassis Rear
DEVICE MANAGEMENT	
MANAGEMENT INTERFACE	Local or Remote Management via Integrated Secure Web Server
MANAGEMENT INTERFACE PORT	10/100/1000BASE-T, Static IP or DHCP, RJ45, Chassis Rear
SECONDARY CRAFT PORT	10/100/1000BASE-T, Static IP, RJ45, Chassis Rear
MANAGEMENT SECURITY	3 Password Protected Tiered User Accounts
MASS DEPLOYMENT & BACKUP	Importable/Exportable Device Configuration Files
REMOTE MONITORING	Integrated SNMP Agent & MIB
ALARMS	Email Notification, SNMP Traps
EAS	
MODES	Support for ANSI/SCTE 18 Compliant & Non-compliant Devices
PHYSICAL & ENVIRONMENTAL	
FORM FACTOR	3RU, 19" Rack Mount
DIMENSIONS	5.25"H x 19.0"W x 22.8"D (13.34H x 48.26W x 57.91D cm)
WEIGHT (Max)	45.7 lbs (20.8 kg)
POWERING	2.5 Amps @ 115 VAC, 1.2 Amps @ 230 VAC Fully Redundant 520W Power Supply Modules, Hot-swappable
ELECTRICAL APPROVAL	Approved to UL 60950-1, 2nd Edition (File E325862)
POWER CONTROL	Software Power Control
OPERATING TEMPERATURE	0°C to +40°C ⁽²⁾ (+32°F to +104°F)
HUMIDITY	0-95% Non-condensing
NOTES:	
(1) Depends upon ordered hardware options.	
(2) For details on exceeding +30°C, please refer to the UCrypt Environment & Temperature Considerations Info Sheet (#ANW1066). Dolby is a registered trademark of Dolby Laboratories. Manufactured under license from Dolby Laboratories.	

UCrypt[®] IP to QAM with Pro:Idiom[®] Encryption:

Ordering Information

Part Number	Description
IP to PRO:IDIOM QAM	
UC32PIP	IP to 32 QAM; Pro:Idiom Encryption
UC24PIP	IP to 24 QAM; Pro:Idiom Encryption
UC16PIP	IP to 16 QAM; Pro:Idiom Encryption
UC8PIP	IP to 8 QAM; Pro:Idiom Encryption
IP to CLEAR QAM	
UC32IP	IP to 32 QAM; Clear
UC24IP	IP to 24 QAM; Clear
UC16IP	IP to 16 QAM; Clear
UC8IP	IP to 8 QAM; Clear
UCQAM*	8-channel QAM Modulator
UCFAN	External Replacement Fan for UCrypt
NOTE:	
* F = unit returned to factory for upgrade; L = unit upgraded on site (requires purchase of UCUPGV - on site visit charge)	

* Any use of the UCrypt product, directly or indirectly, for the decryption and unauthorized reproduction of content that constitutes or may constitute copyright infringement or otherwise infringes on the proprietary rights of any third party is expressly prohibited. No user of UCrypt shall use UCrypt for any purpose or in any manner which, directly or indirectly, violates the law, violates the proprietary rights of any other party, or aids in any unlawful act or undertaking including, without limitation, laws governing data privacy, international data transmission, and export of technology or data. Any multiple systems operator or other similar party ("MSO") will use the UCrypt product in strict compliance with all applicable laws and in compliance with any agreement in effect between the MSO and a content provider. In no event shall ATX Networks Corp. or any of its affiliates be liable to an MSO, any end user of the UCrypt product, or any other third party, for any claims arising out of or related to any use or misuse of the UCrypt product in contravention of this disclaimer. It is the express obligation of an MSO to convey this disclaimer to any other end user of the UCrypt product.

MDU Solutions[®] and UCrypt[®] are registered trademarks of ATX in the United States and/or other countries. Products or features contained herein may be covered by one or more U.S. or foreign patents. Pro:Idiom[®], Dolby[®] and other non-ATX product and company names mentioned in this data sheet are the property of their respective companies.



Specifications subject to change without notice.

