



Product Overview

Mini Power Passer:

Features & Benefits:

- ▶ Enables operators to provide all digital video service in Health Care facilities, nursing homes or other premises with coax powered televisions
- ▶ Protects Digital Terminal Adapters (DTA) or Set-Top Boxes (STB) from AC power present on premises coax while enabling power & RF to pass to the televisions
- ▶ 60 VAC Power Passing at 3 Amps
- ▶ Low RF Insertion & Return Loss
- ▶ Return Path Enabled

Mini Power Passer Specifications

SPECIFICATIONS		DMMPP	
MEASUREMENT	FREQUENCY	QA (dB)	TYP (dB)
INSERTION LOSS (Min)	5-14 MHz	0.2	0.2
	15-40 MHz	0.3	0.1
	41-200 MHz	0.3	0.1
	201-550 MHz	0.5	0.4
	551-750 MHz	0.5	0.4
ISOLATION (Min)	751-1002 MHz	0.5	0.4
	5-14 MHz	35	40
	15-40 MHz	60	70
	41-200 MHz	60	70
	201-550 MHz	60	70
RETURN LOSS (Min)	551-750 MHz	60	70
	751-1002 MHz	60	70
	5-14 MHz	15	16
	15-40 MHz	20	25
	41-200 MHz	20	25
HUM MODULATION (Min)	201-550 MHz	20	25
	551-750 MHz	20	25
	751-1002 MHz	20	25
RFI (Min)		60 dB	
POWER PASSING (Max)		120 dB	
IMPEDANCE		3A, 60 VAC	
		75 Ohms	

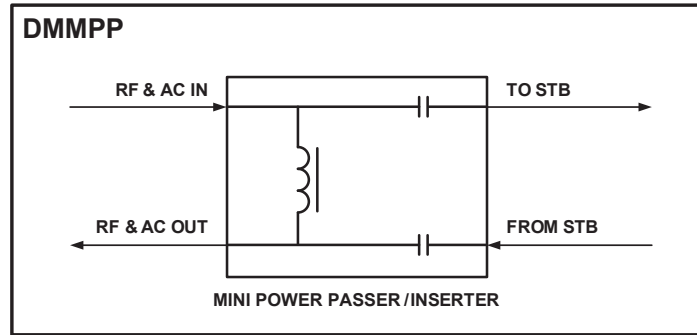


Ordering Information

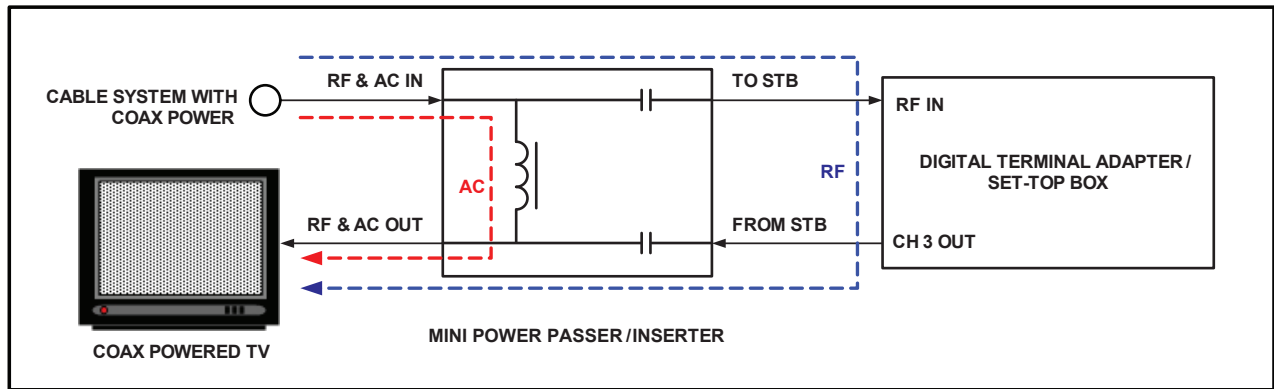
Part Number	Description
DMMPP	Mini Power Passer

Mini Power Passer:

Functional Schematic



Application Diagram



Specifications subject to change without notice.

