

Q-SERIES® Amplifiers

Headend Amplifiers



QISO/R75-32 Return Path Headend Isolation Amplifier:

Features:

- ▶ 3RU return path amplifier
- ▶ Active splitter with excellent return loss specifications required for digital QAM signals
- ▶ 50 dB port-to-port isolation
- ▶ 8 independent monolithic RF amplifiers
- ▶ Unity gain splitting function
- ▶ Any bandwidth 5-75 MHz
- ▶ Output match exceeds -20 dB
- ▶ “Loop through” combinations via directional couplers
- ▶ Allows for configuration of 4, 8, 12, or up to 32 output ports from single RF return path source
- ▶ Return signals can be routed to telco router switches, status monitors, RF modems, & to converter polling computers without interaction problems
- ▶ All 4 ports of each amplifier are padded to provide unity gain to each output port
- ▶ Best performance obtained with digital signal output levels near $+30$ dBmV
- ▶ Full front panel access to SXP pads
- ▶ AC powered and includes an internal rectifier, voltage regulator, & utilizes a UL approved class 2 power transformer



QISO/R75-32 (front view)



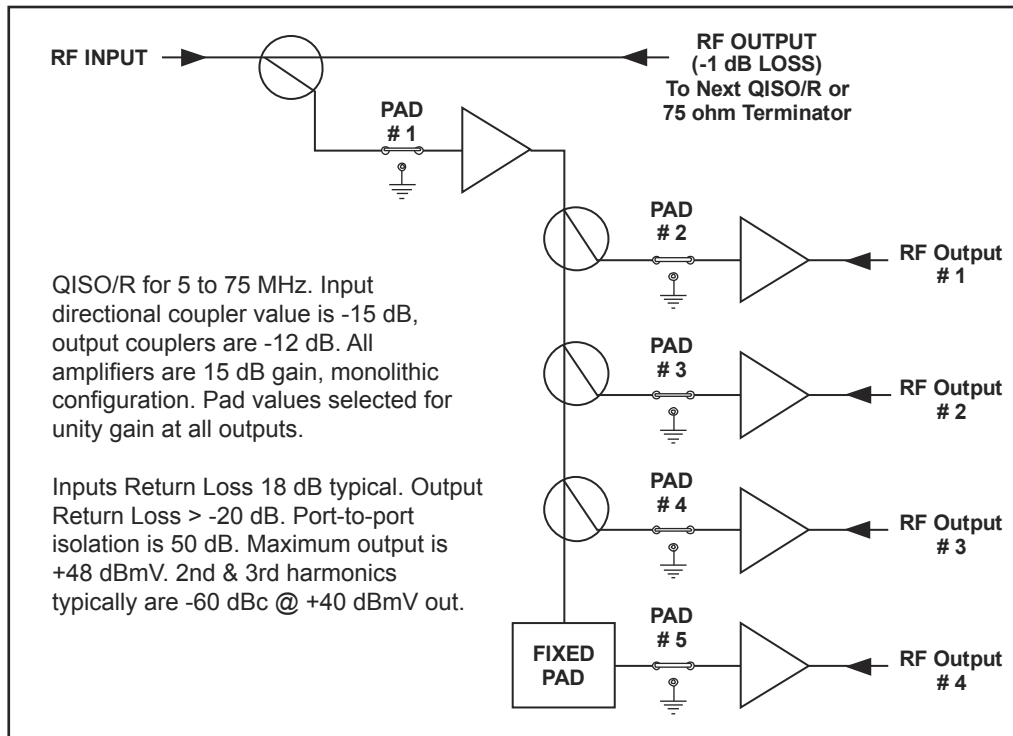
QISO/R75-32 (rear view)

Ordering Information

Part Number	Description
QISO/R75-32/AC	75 MHz, 32 Outputs, AC
Options & Spares	
SXP-**	Plug-in Attenuator Pads, ** = 0 to 20 dB in 1 dB steps
SXP Pads 	
#951	120 Volts to 26 Volts, 60 Hz AC Power Transformer, 50 VA Rating (included)
#951 Transformer 	
Shipping Weight	8 lbs (3.6 kg)
Dimensions	5.25"H x 19.0"W x 1.6"D (13.34H x 48.26W x 4.06D cm)

QISO/R75-32 Return Path Headend Isolation Amplifier:

Functional Schematic



Specifications subject to change without notice.

