

# Q-SERIES® Amplifiers

## Headend Amplifiers



### QISO Headend Isolation Amplifier:

#### Features:

- ▶ Provides brute force isolation for the most complex headend multiple channel line-up problems
- ▶ Blocks all feedback paths with internal isolation of push-pull hybrids & well matched directional coupler
- ▶ Directional coupler input allows several units to be lashed together providing more than 4 outputs from single unit
- ▶ Option without input directional coupler to provide 18 dB of gain
- ▶ 870 MHz bandwidth
- ▶ 50 dB port-to-port isolation
- ▶ Hybrid output on each port
- ▶ Pad for each output port provides unity gain (or 18 dB gain) to each
- ▶ All SXP pads accessible from front
- ▶ Less than 10 millivolts of AC ripple from battery or regulated power supply sources
- ▶ Powered by a 110 VAC / 26 VAC power transformer



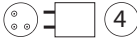
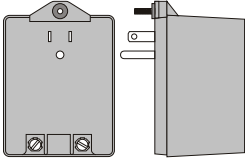
QISO (front view)

### QISO Specifications

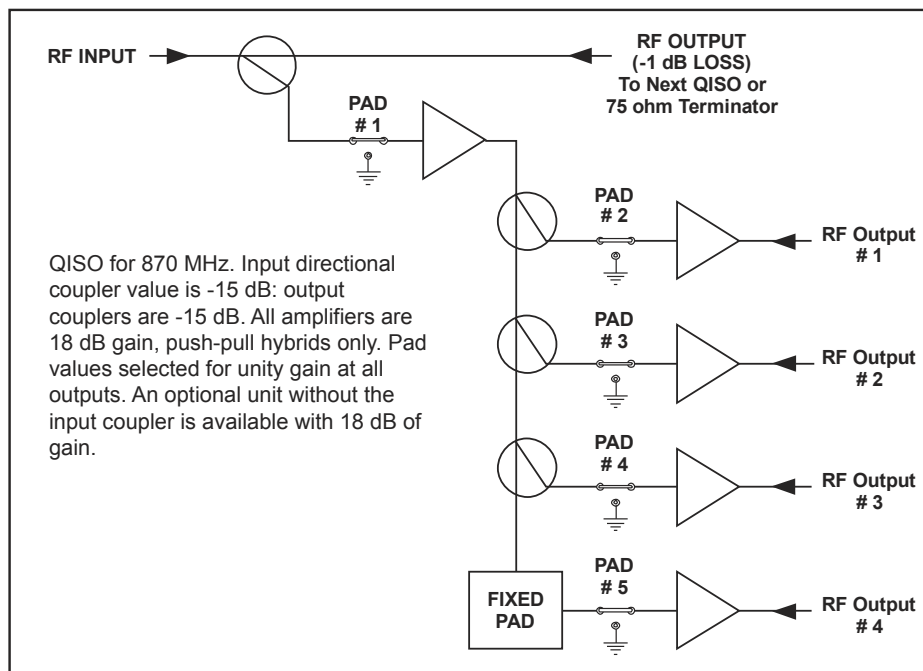
SPECIFICATIONS	QISO-870	
BANDWIDTH (MHz)	50 to 870	
FREQUENCY RESPONSE	+/- 0.1 <sup>(1)</sup>	+/- 0.25
RETURN LOSS (-dB)	16	
GAIN (dB)	0, +/- 1	
CHANNEL LOADING	1	128
OUTPUT LEVEL (dBmV)	+57	+30 Flat
COMP. TR. BT. (-dBc)	65 <sup>(1)</sup>	76
CROSS-MODULATION (-dB)	60 <sup>(1)</sup>	78
CARRIER-TO-NOISE RATIO (dB)	90	62.5
<b>NOTE:</b> (1) Specifications for 1 channel: 3rd harmonic value listed as composite triple beat, 2nd harmonic value is listed as cross-modulation. Frequency response for a single 6 MHz channel is +/- 0.1 dB.		

## QISO Headend Isolation Amplifier:

### Ordering Information

Part Number	Description
QISO870-04/AC	Rack ISO Amp 870 MHz, 4 Ports, AC Operation
QISO870-18/4/AC	870 MHz, 4 Output, 18 dB, AC Operation
<b>Options &amp; Spares</b>	
DTS240250UC-P5-ET	External Universal AC Power Supply, 100-240 VAC, 47-63 Hz Input, 24 VDC Output
SXP.**	Plug-in Attenuator Pads, ** = 0 to 20 dB in 1 dB steps
SXP Pads 	
#951	120 Volts to 26 Volts, 60 Hz AC Power Transformer, 50 VA Rating (included)
#951 Transformer 	
<b>Shipping Weight</b>	4 lbs (1.81 kg)
<b>Dimensions</b>	3.5"H x 19.0"W x 3.1"D (8.89H x 48.26W x 7.87D cm)

### Functional Schematic



Specifications subject to change without notice.

