

MAXNET® II

Platinum Series

RF & Optical Signal Management

Patented
U.S.# 7,142,414



Passive Products


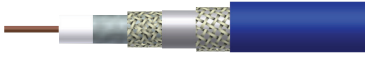
Headend Jumpers:

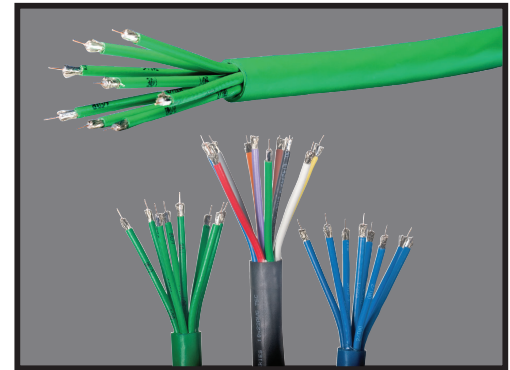
- ▶ User specified lengths to suit your needs
- ▶ High quality connectors
- ▶ Extremely cost-effective
- ▶ 100% quality control

3RU Active Chassis
(front view)



10 Count Bundle

STANDARD SHIELD	QUAD SHIELD
	
75 Ω Mini-Series Coaxial Cable Copper Conductor Foamed Polyethylene Dielectric Bonded APA Laminate Shield 95% Tinned Copper Braid Color PVC Jacket NEC CEC 800 (UL) CMR-CMG Listed	75 Ω Mini-Series Coaxial Cable Copper Conductor Foamed Polyethylene Dielectric Bonded APA Laminate Shield 95% Tinned Copper Braid APA Laminate Shield 90% Tinned Copper Braid Color PVC Jacket NEC CEC 800 (UL) CMR-CMG Listed



Headend Jumpers Specifications

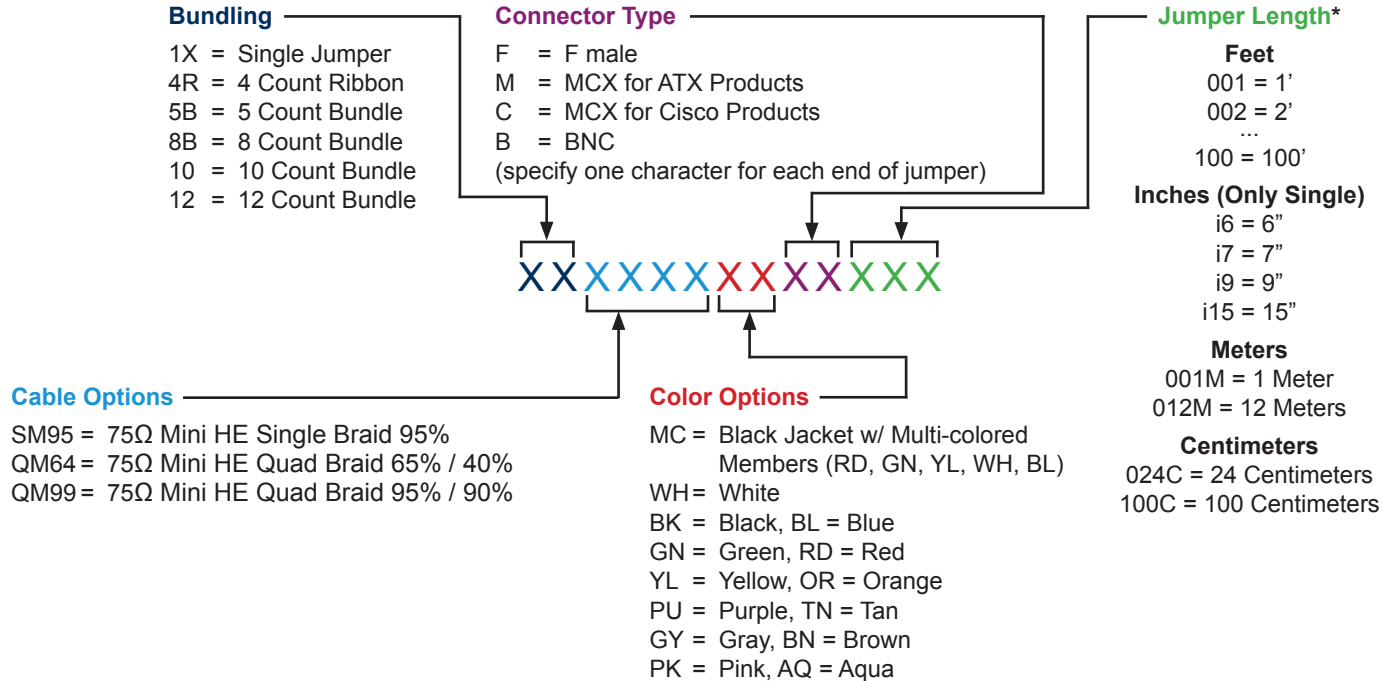
CHARACTERISTICS	STANDARD SHIELD		QUAD SHIELD	
	DETAIL	INCHES / MM	DETAIL	INCHES / MM
INNER CONDUCTOR	Copper	0.0226 / 0.57	Copper	0.0226 / 0.57
DIELECTRIC	Foamed Polyethylene	0.100 / 2.54	Foamed Polyethylene	0.100 / 2.54
1st OUTER CONDUCTOR	Sealed APA Tape	0.106 / 2.69	Sealed APA Tape	0.106 / 2.69
2nd OUTER CONDUCTOR	95% Tinned Copper Braid	0.131 / 3.33	95% Tinned Copper Braid	0.131 / 3.33
3rd OUTER CONDUCTOR	—	--	APA Tape	0.135 / 3.43
4th OUTER CONDUCTOR	—	--	90% Tinned Copper Braid	0.160 / 4.06
JACKET	PVC, Flame Retardant, Color	0.163 / 4.14	PVC, Flame Retardant, Color	0.185 / 4.70
MECHANICAL SPECIFICATIONS				
MINIMUM BEND RADIUS	—	0.75 / 19.05	--	0.75 / 19.05
PRODUCT WEIGHT	(less reel)	19 lbs /kft	(less reel)	28 lbs /kft
ELECTRICAL SPECIFICATIONS				
IMPEDANCE, Ω	75 ± 3		75 ± 3	
VELOCITY OF PROPAGATION, %	83		83	
CAPACITANCE, NOMINAL	16.2 pF/ft	53.1 pF/m	16.2 pF/ft	53.1 pF/m
DC RESISTANCE	Ω / kft	Ω / km	Ω / kft	Ω / km
INNER CONDUCTOR	21.0	69	21.0	69
OUTER CONDUCTOR	7.6	25	3.00	10
LOOP	28.6	94	24.0	79

ATTENUATION, MAX. @ 20°C (68°F)	
FREQUENCY, MHz	dB/100 ft/m
5	0.96 / 3.15
55	2.73 / 8.96
211	5.04 / 16.54
250	5.48 / 17.98
270	5.70 / 18.70
300	6.01 / 19.72
330	6.31 / 20.70
350	6.51 / 21.36
400	6.98 / 22.90
450	7.37 / 24.18
500	7.86 / 25.79
550	8.27 / 27.13
600	8.66 / 28.41
750	9.75 / 31.99
870	10.53 / 34.55
1000	11.34 / 37.20
1200	12.37 / 40.58
1500	13.78 / 45.21
2000	15.95 / 52.33
2250	16.96 / 55.64
3000	19.61 / 64.34

RF & Optical Signal Management

Headend Jumpers:

Ordering Information



Lead time for standard items is 2-3 weeks, otherwise 6-8 weeks with minimum order quantities (please contact ATX Networks for more information).

The following cable bundles are standard items:

Part Number	Description
10SM95MCxxxxx	10 Count Bundled Mini-headend Cable (95% Braid) Multi-color Cable and Black Jacket
5BQM99MCxxxxx	5 Count Bundled Mini-headend Cable (Quad Shield) Multi-color Cable and Black Jacket
4RQM64BLxxxxx	4 Count Ribbon Mini-headend Cable (Quad Shield) Blue
8BSM95xxxxxxx	8 Count Bundled Mini-headend Cable (95% Braid) in Matching Cable and Jacket Colors (OR, PU, RD, YL, BK, BL, GR, GY)

NOTE:
xxxxxxx = see ordering color key above

* Length specified is for mini cable only; does not include connectors. Typical connectors add 0.5" at each end. Length tolerance is +/- 1" for lengths > 5'; +/- 0.25" for all others.

Specifications subject to change without notice.

