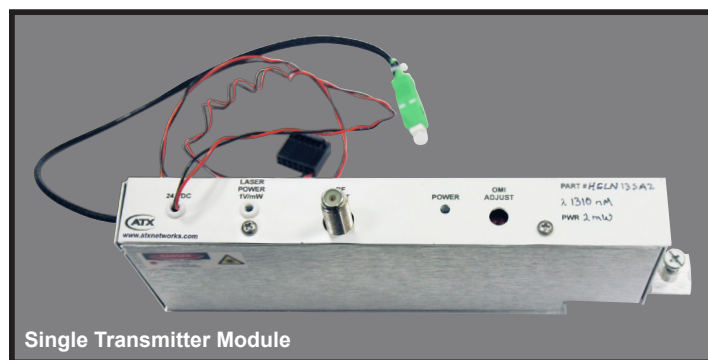


C-Cor LN-SM7x* Single Return Path Transmitters:

Features & Benefits:

- ▶ 1310 nm, 1550 nm or CWDM, DFB based return path transmitter module
- ▶ Designed to perform better than or equal to the original manufacturer's model
- ▶ Replace failed legacy return path transmitters or improve return path performance by replacing existing F-P transmitter module with a DFB transmitter module
- ▶ Single transmitter modules allow for immediate legacy module replacement
- ▶ Plug-in pad attenuator facilitates easy adjustment of RF Input drive level
- ▶ Laser drive level test point, along with target CW carrier level (indicated on the transmitter) allows technician to easily set the drive level to the transmitter for optimized performance
- ▶ Convenient DC test point provides indicator of optical output power (1V/mW)
- ▶ Low power consumption & good heat dissipation increases service life and reliability



Return Path Transmitter Specifications

SPECIFICATIONS		RETURN TRANSMITTERS: DFB & CWDM
RF INPUT & PERFORMANCE PARAMETERS		
FREQUENCY RESPONSE RANGE (+/- 1.0 dB)	5 - 220 MHz	
NPR (DFB/CWDM)*	> 15 dB over 41 dB NPR*	
INPUT RETURN LOSS	> 16 dB	
OPTICAL OUTPUT PARAMETERS		
OPTICAL OUTPUT (DFB)	1.0, 2.0 or 3.0 mW @ 1310 nm / 2.5 mW @ 1550 nm CWDM	
RETURN LOSS	> 60 dB with APC Connector	
OPTICAL CONNECTOR	SC/APC; FC/APC; SC/UPC; FC/UPC	
USER INTERFACE		
OPTICAL OUTPUT LEVEL	1V/mW	
LASER ON INDICATOR	LED	
INPUT LEVEL CONTROL	SXP PAD	
ELECTRICAL, ENVIRONMENTAL & MECHANICAL PARAMETERS		
OPERATING TEMPERATURE RANGE	-40°C to +60°C (-40°F to +140°F) (ambient temperature around Node)	
POWERING	Single Transmitter Module: 24V, 65mA	
NOTES:		
* Measured with 17 km of fiber, 35 MHz loading. Call factory for assistance in determining optimum drive levels for your system.		

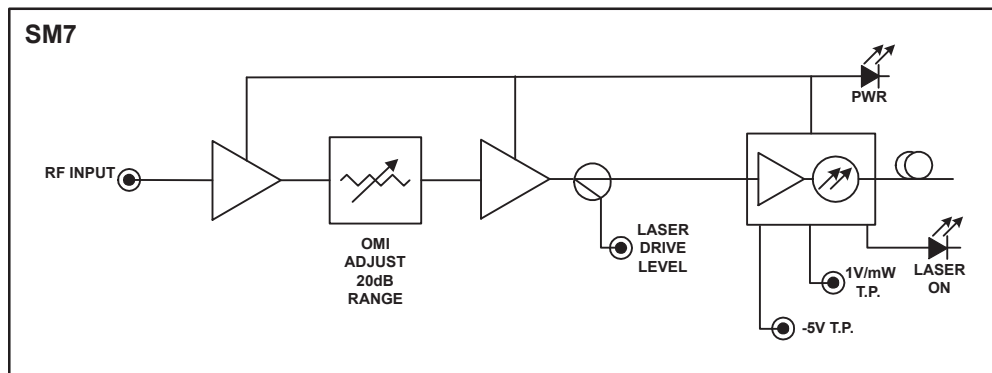
C-Cor LN-SM7x* Single Return Path Transmitters:

Ordering Information

Single Transmitter Modules:

<p>1310 nm DFB</p> <p>HELN13</p> <ul style="list-style-type: none"> 1 = 1 mW 2 = 2 mW 3 = 3 mW <ul style="list-style-type: none"> SA = SC/APC SU = SC/UPC FA = FC/APC FU = FC/UPC 	<p>1550 nm and CWDM DFB, 2.5 mW</p> <p>HELN 2.5</p> <ul style="list-style-type: none"> SA = SC/APC SU = SC/UPC FA = FC/APC FU = FC/UPC <ul style="list-style-type: none"> 15 = 1550 nm 47 = 1470 nm 49 = 1490 nm 51 = 1510 nm 53 = 1530 nm
---------------------------------------------------------------------------------------------------------------------------------------------------------------------------------------------------------------------------------------------------------------------	------------------------------------------------------------------------------------------------------------------------------------------------------------------------------------------------------------------------------------------------------------------------------------------------------------------------------------------------

Return Path Transmitter Functional Schematic



Specifications subject to change without notice.