

QFLAME - Drop-in Module Upgrade for Texscan / ARRIS / Antec Trunk / Mini Bridger

Features & Benefits:

- ▶ Drop-in module provides cost-effective & efficient bandwidth enhancements up to 930 MHz in systems equipped with Texscan / Antec Flamethrower amplifiers
- ▶ Gain control options include manual gain control (MGC) or automatic slope & gain (ASG)
- ▶ Plug-in diplex filters provide a future-proof solution in the event of new forward/return bandwidth splits
- ▶ All plug-in accessories (pads, EQs) fully supported
- ▶ Equipped with 24V power LED indication
- ▶ Low power consumption GaAs technology

Sample QFLAME Specifications

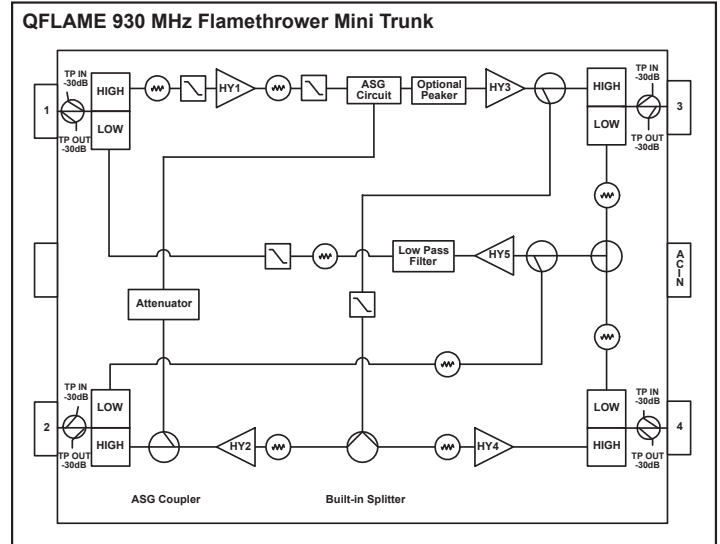
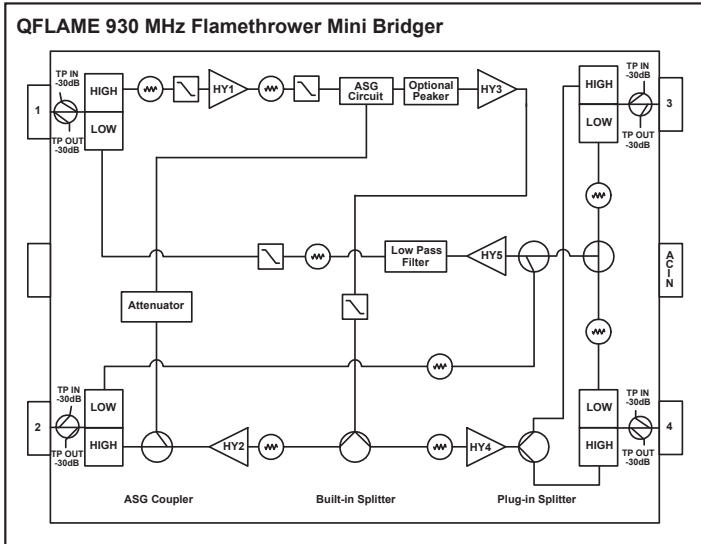
SPECIFICATIONS	ORIGINAL TEXSCAN MT	HFC Enhance [®] QFLAME-MT	ORIGINAL TEXSCAN MB	HFC Enhance [®] QFLAME-MB
PASSBAND	45-750 MHz	52-930 MHz	45-750 MHz	52-930 MHz
OPERATIONAL GAIN (Trunk)	25 dB	28 dB	n/a	n/a
OPERATIONAL GAIN (Bridger)	33 dB	36 dB	36 dB	39 dB
FREQUENCY RESPONSE	+/- 0.75 dB	+/- 0.75 dB	+/- 0.75 dB	+/- 0.75 dB
SLOPE/GAIN CONTROL	3.5 dB	3.5 dB	3.5 dB	3.5 dB
OUTPUT LEVEL STABILITY	1 dB	1 dB	1 dB	1 dB
RETURN LOSS	-14 dB	-14 dB	-14 dB	-14 dB
TEST POINT LEVEL/ACCURACY	30 dB (+/- 1 dB)	30 dB (+/- 1 dB)	30 dB (+/- 1 dB)	30 dB (+/- 1 dB)
NOISE FIGURE (Trunk)	10.3 dB	10.0 dB	n/a	n/a
NOISE FIGURE (Bridger)	10.4 dB	10.4 dB	11.7 dB	8.9 dB
OUTPUT LEVEL (Trunk: 55/750/930 MHz)	30/40/-- dBmV	30/40/41.6 dBmV	n/a	n/a
OUTPUT LEVEL (Bridger: 55/750/930 MHz)	38/48/-- dBmV	38/48/49.6 dBmV	38/48/-- dBmV	38/48/49.6 dBmV
CSO DISTORTION (Trunk)	71 dB	76.7 dB	n/a	n/a
CSO DISTORTION (Bridger)	65 dB	68.1 dB	67 dB	68.8 dB
CTB DISTORTION (Trunk)	77 dB	82.4 dB	n/a	n/a
CTB DISTORTION (Bridger)	64 dB	66.1 dB	66 dB	67 dB
HUM MODULATION	70 dB	70 dB	70 dB	70 dB
RETURN PATH PASSBAND	5-40 MHz	5-42 MHz	5-40 MHz	5-42 MHz
RETURN PATH OPERATIONAL GAIN	14 dB	14 dB	14 dB	14 dB
OPERATING TEMPERATURE	-40°C to +60°C (-40°F to +140°F)			
HUMIDITY	20%-55% (without condensation, inside housing)			
POWERING	1.6A @ 24 VDC			
DIMENSIONS	7.48"H x 7.1"W x 3.74"D (19.0H x 18.0W x 9.5D cm)			
WEIGHT	3.2 lbs (1.45 kg)			

Ordering Information

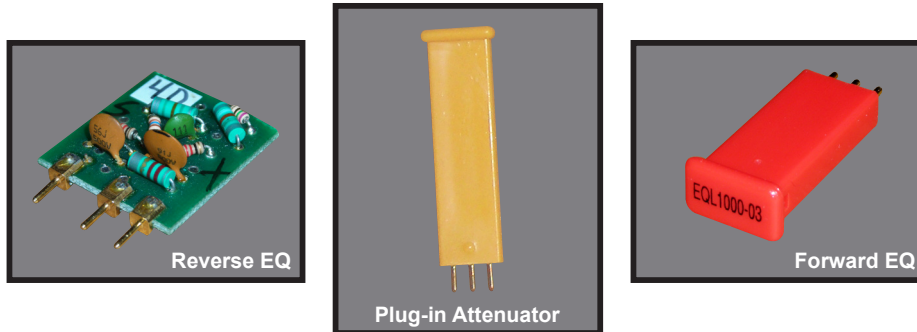
Part Number	Description
QFLAME930-MT28	28 dB Gain 930 MHz Mini Trunk
QFLAME930-MB39	39 dB Gain 930 MHz Mini Bridger

QFLAME - Drop-in Module Upgrade for Texscan / ARRIS / Antec Trunk / Mini Bridger:

QFLAME Block Diagrams



Accessories:



Ordering Information

Part Number	Description
Q9REQ42-XX	Reverse EQ: XX = 0-9.0 dB in increments of 1.5 dB
JXP-GM-XX	Forward and Reverse Pads/Attenuators: XX = 0-20 dB in increments of 1 dB
JXPEQC-XX	Forward EQ: XX = 0-20 dB in increments of 1 dB

HFC Enhance® is a registered trademark of ATX in the United States and/or other countries. Products or features contained herein may be covered by one or more U.S. or foreign patents. Texscan, ARRIS, Antec and other non-ATX product and company names mentioned in this data sheet are the property of their respective companies.



Specifications subject to change without notice.