



Product Overview

Power Passing Converters:

Features:

- ▶ Ideal for powering MDUs or other high current environments with 60 VAC from 90 or 75 VAC CATV plant
- ▶ Passes RF (<1.3 dB IL)
- ▶ Converts 90 or 75 VAC to 60 VAC at >90% efficiency
- ▶ Fused-based short circuit protection
- ▶ Rated for 5A on 60 VAC output
- ▶ Surge withstand - C62.41 Cat A3 6kV, Combination Wave

Electrical Specifications

ELECTRICAL SPECIFICATIONS	PPC5A	PPC5A-75
INPUT		
INPUT VOLTAGE (Nominal)	90 VAC Quasi Square Wave	75 VAC Quasi Square Wave
RANGE	45-110 VAC	40-95 VAC
FREQUENCY	50-60 Hz	
POWER (Vout 57, Iout 5)	Vin 90, 300 VA	Vin 75, 300 VA
EFFICIENCY	> 90%	
SHORT CIRCUIT PROTECTION	Primary Fuse 5A SloBlo	
OUTPUT		
OUTPUT VOLTAGE (Iout 1A)	Vin 90, 60 VAC	Vin 75, 60 VAC
OUTPUT VOLTAGE (Iout 0A)	Vin 90, 61.5 VAC	Vin 75, 61.5 VAC
RANGE	29-72 VAC	29-72 VAC
OUTPUT CURRENT (Vout 57.5)	Vin 90, 5 Amps	Vin 75, 5 Amps
RF OPERATION		
RANGE	5-1000 MHz	
INSERTION LOSS	1.3 dB (max)	
RETURN LOSS	20 dB (min)	
RFI	100 dB (min)	
OTHER		
OPERATING TEMPERATURE	-40°C to +60°C (-40°F to +140°F)	
HUMIDITY	5-95% (without condensation)	
SURGE WITHSTAND	C62.41 Cat A3 6kV, Combination Wave	
HOUSING	2 Part Aluminum Housing Separate O-Ring and EMI Gaskets	
CONNECTORS	Connector Entry 5/8-24 SCTE Specification IPS-SP-500	
DIMENSIONS (approx.)	5.5"H x 12.5"W x 8.5"D (14.0H x 32.0W x 22.0D cm)	
WEIGHT (approx.)	12.0 lbs (5.45 kg)	
LABEL		
INPUT PORT IDENTIFICATION (LHS)	90 VAC+RF	75 VAC+RF
PORT CONFIGURATION	5/8-24 SCTE Specification IPS-SP-500	
OUTPUT PORT IDENTIFICATION (RHS)	60 VAC+RF	

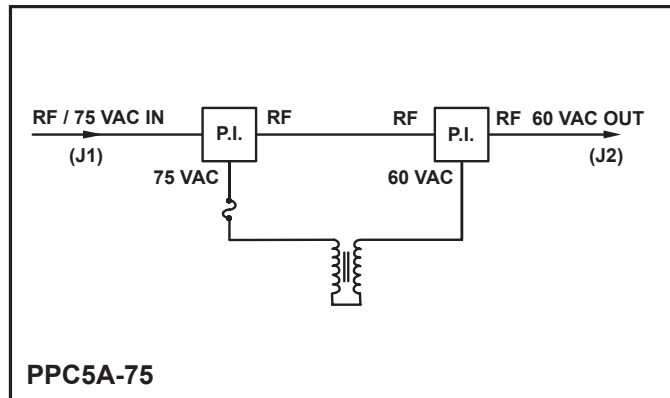
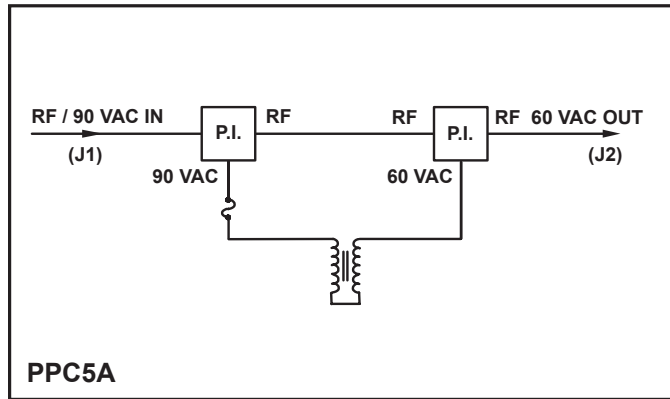


Ordering Information

Part Number	Description
PPC5A	Power Passing Converter 90 to 60 VAC
PPC5A-75	Power Passing Converter 75 to 60 VAC

Power Passing Converters:

Functional Schematics



DigiMAX[®] is a registered trademark of ATX in the United States and/or other countries. Products or features contained herein may be covered by one or more U.S. or foreign patents. Other non-ATX product and company names mentioned in this data sheet are the property of their respective companies.



Specifications subject to change without notice.

