



5RU Standard RF Chassis
(front view)

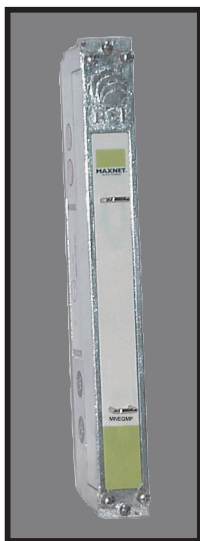
Passive Products

Plug-In Pad & EQ Modules:

Features & Benefits:

- ▶ Provides a means with which to equalize and/or pad headend signals
- ▶ Plug-in equalizer and pad is easily accessed at the front of the MNEQM* MAXNET® module
- ▶ Wide range of plug-in EQs and pads available

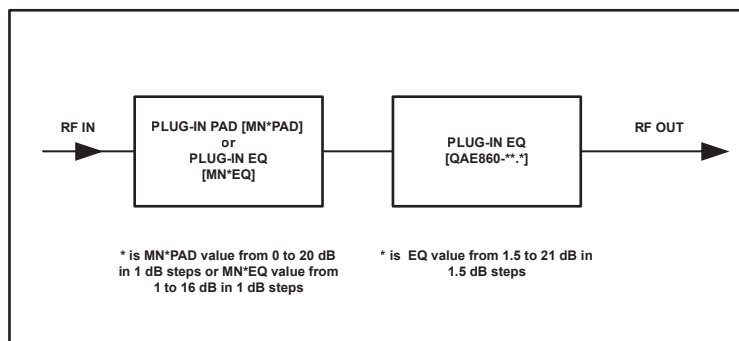
Plug-In Pad & EQ Module (MNEQM*) Specifications



MEASUREMENT	5-1000 MHz
INSERTION LOSS	< 0.5 dB
RETURN LOSS (IN/OUT)	> 20 dB

* = F for F connectors, B for BNC connectors

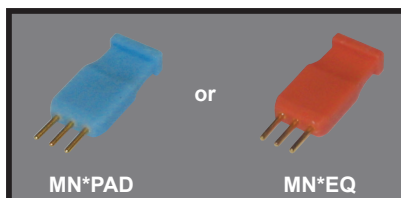
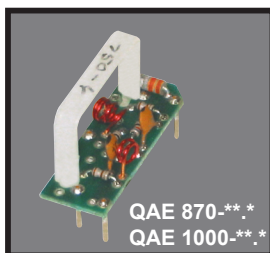
Functional Schematic



Ordering Information

Part Number	Description
MNEQMB	Signal Equalization and Padding Module, BNC
MNEQMF	Signal Equalization and Padding Module, F

* is EQ value from 1.5 to 21 dB in 1.5 dB steps



* is MN*PAD value from 0 to 20 dB in 1 dB steps or MN*EQ value from 1 to 16 dB in 1 dB steps

For Plug-In PAD & EQ specifications & ordering information, see RF Passive Pad/EQ spec sheet.

RF Signal Management

Plug-In Pad & EQ Modules (cont'd):

Features & Benefits:

- ▶ Provides a means with which to equalize and/or pad headend signals
- ▶ Plug-in equalizer and pad is easily accessed at the front of the MNEQM3* MAXNET® module
- ▶ Wide range of plug-in EQs and pads available



Plug-In Pad & EQ Module (MNEQM3*) Specifications

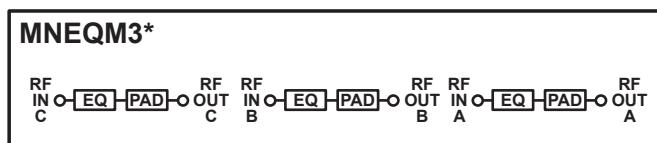
MEASUREMENT	5-1000 MHz
INSERTION LOSS	< 0.5 dB
RETURN LOSS (IN/OUT)	> 20 dB
UNIT TO UNIT ISOLATION (Unit A or B or C)	> 90 dB

* = F for F connectors, B for BNC connectors

Ordering Information

Part Number	Description
MNEQM3B	Triple Signal Equalization and Padding Module, BNC
MNEQM3F	Triple Signal Equalization and Padding Module, F

Functional Schematic



Specifications subject to change without notice.
MAXNET specifications are only valid when ATX
plug-in pads & EQs are used.

