

MAXNET®

RF Signal Management

Patented
U.S.#s 6,842,348; 7,043,236;
Cdn.#s 2,404,840; 2,404,844



5RU Active RF Chassis
(front view)

Active Products

RF Switches:

RF Detector/Switch (MNRS*) Specifications

| MNRS* RF DETECTOR / SWITCH | | |
|---|-----------------------------------|--------------------------------------|
| SPECIFICATIONS | REDUNDANT AMPLIFIER CONFIGURATION | RF DETECTOR A/B SWITCH CONFIGURATION |
| RF SPECIFICATIONS (5-1000 MHz) | | |
| INSERTION LOSS (Max) | 2.3 dB ⁽¹⁾ | 2.3 dB / 1.5 dB ⁽³⁾ |
| INPUT/OUTPUT RETURN LOSS (Min) | 18 dB | 18 dB |
| ISOLATION (Min) | 70 dB ⁽²⁾ | 70 dB |
| OPERATIONAL SPECIFICATIONS | | |
| COMPOSITE RF POWER RANGE | 40 - 70 dBmV | |
| SWITCH THRESHOLD RANGE | 37 - 67 dBmV | |
| SWITCH THRESHOLD CONTROL | Front Panel Control | |
| SWITCH TIME (Max) | 10ms | |
| SWITCH STATUS INDICATION | Front Panel LED & Rear NO Contact | |
| TEMPERATURE | -40°C to +60°C (-40°F to +140°F) | |
| ELECTRICAL SPECIFICATIONS | | |
| INPUT VOLTAGE | 24V | |
| INPUT CURRENT | 70mA | |
| POWER INDICATOR | Front Panel LED | |
| NOTES: | | |
| (1) Input section < 0.5 dB; Output section < 1.8 dB. | | |
| (2) Isolation measured between primary (A) and secondary (B) paths. | | |
| (3) Loss for A/B (0.8 dB allowance for coupler). | | |

*MNRS available with either F or BNC connectors

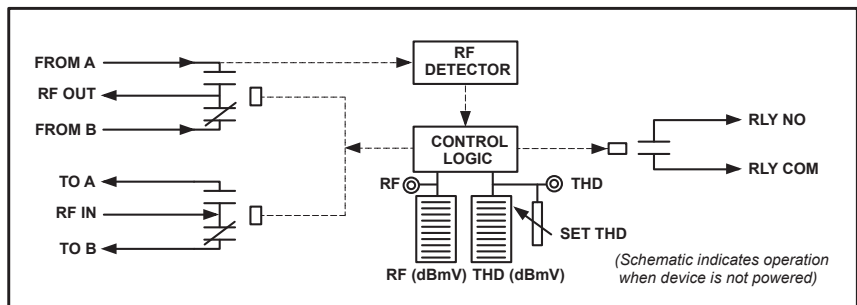


RF Detector / Switch

Rear Panel Terminal Block Assignment Specifications

| TB # | RF DETECTOR / SWITCH |
|------|----------------------|
| 1 | V PWR |
| 2 | COM |
| 3 | V THD |
| 4 | RLY COM |
| 5 | RLY NO |

Functional Schematic



Ordering Information

| Part Number | Description |
|-------------|---|
| MNRSB | RF Detector / Switch, BNC Connectors |
| MNRSDF | RF Detector / Switch with Switch Delay and Level Modification |
| MNRSF | RF Detector / Switch, F Connectors |
| MNRSLF | RF Detector Switch with Low Level Mod (25-55 dBmV) |

RF Signal Management

RF Switches (cont'd):

Dual A/B Switch (MNDAB*) Specifications

| SPECIFICATIONS | | MNDAB* DUAL A/B SWITCH |
|--------------------------------|--|--|
| RF SPECIFICATIONS (5-870 MHz) | | |
| INSERTION LOSS (Max) | | 0.5 dB |
| INPUT/OUTPUT RETURN LOSS (Min) | | 18 dB |
| ISOLATION (Min) | | 60 dB |
| OPERATIONAL SPECIFICATIONS | | |
| SWITCH TRANSFER CONTROL | | Front Panel Pushbutton or Remote Pulsed Logic Signal (5 to 24 VDC) |
| SWITCH TRANSFER TIME | | < 10mS |
| SWITCH STATUS INDICATION | | Front Panel LED & Rear TB NO Contact |
| TEMPERATURE | | -40°C to +60°C (-40°F to +140°F) |
| ELECTRICAL SPECIFICATIONS | | |
| INPUT VOLTAGE | | 24V |
| INPUT CURRENT | | 70mA |
| POWER INDICATION | | Front Panel LED |

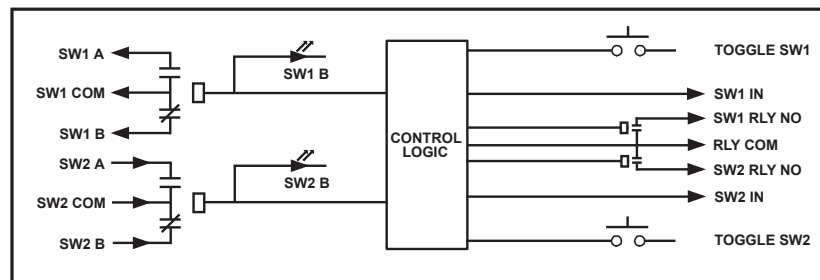
*MNDAB available with either F or BNC connectors



Rear Panel Terminal Block Assignment Specifications

| TB # | DUAL A/B SWITCH |
|------|-----------------|
| 1 | SW1 IN |
| 2 | SW1 RLY NO |
| 3 | COM |
| 4 | SW2 RLY NO |
| 5 | SW2 IN |

Functional Schematic



Ordering Information

| Part Number | Description |
|-------------|----------------------------------|
| MNDABB | Dual A/B Switch , BNC Connectors |
| MNDABF | Dual A/B Switch, F Connectors |

Specifications subject to change without notice.
MAXNET specifications are only valid when ATX
plug-in pads & EQs are used.

