



1RU Chassis  
(front view)

### Active Products

#### L-Band Active Splitter\*:

- ▶ Lossless L-Band splitters ideal for applications with sensitive link budgets
- ▶ Optimized L-Band performance from 950-2150 MHz
- ▶ LNB powering can be controlled (on/off) via front panel slide switch
- ▶ Custom, more space-efficient versions are available upon request

### L-Band Active Splitter Specifications

| SPECIFICATIONS                   | MN32AL**   | MN24AL** | MN16AL** | MN12AL** | MN8AL** | MN4AL** |
|----------------------------------|--|----------|----------|----------|---------|---------|
| INSERTION LOSS                   | 0 +/- 2 dB   |          |          |          |         |         |
| MAXIMUM INPUT                    | -20 dBm  |          |          |          |         |         |
| INPUT RETURN LOSS                | 12 dB  |          |          |          |         |         |
| OUTPUT RETURN LOSS               | 10 dB  |          |          |          |         |         |
| PORT TO PORT ISOLATION           | 18 dB  |          |          |          |         |         |
| POWERING                         | 18-24 VDC (Rear Terminal Quick Connect) / or Integrated 110/220 Power Supply |          |          |          |         |         |
| LNB POWERING <sup>(2)</sup>      | 18-24 VDC  |          |          |          |         |         |
| POWER CONSUMPTION <sup>(1)</sup> | 12 W   | 13 W     | 12 W     | 12 W     | 12 W    | 10W     |
| SIZE                             | 2RU  | 2RU      | 1RU      | 1RU      | 1RU     | 1RU     |

**NOTES:**  
 \*\* 1st \* = F for F connectors, B for BNC connectors and C for 50 ohm BNC, 2nd \* = A for AC powering option  
 (1) Does not include power for LNB.  
 (2) Matches DC input voltage.

### Ordering Information

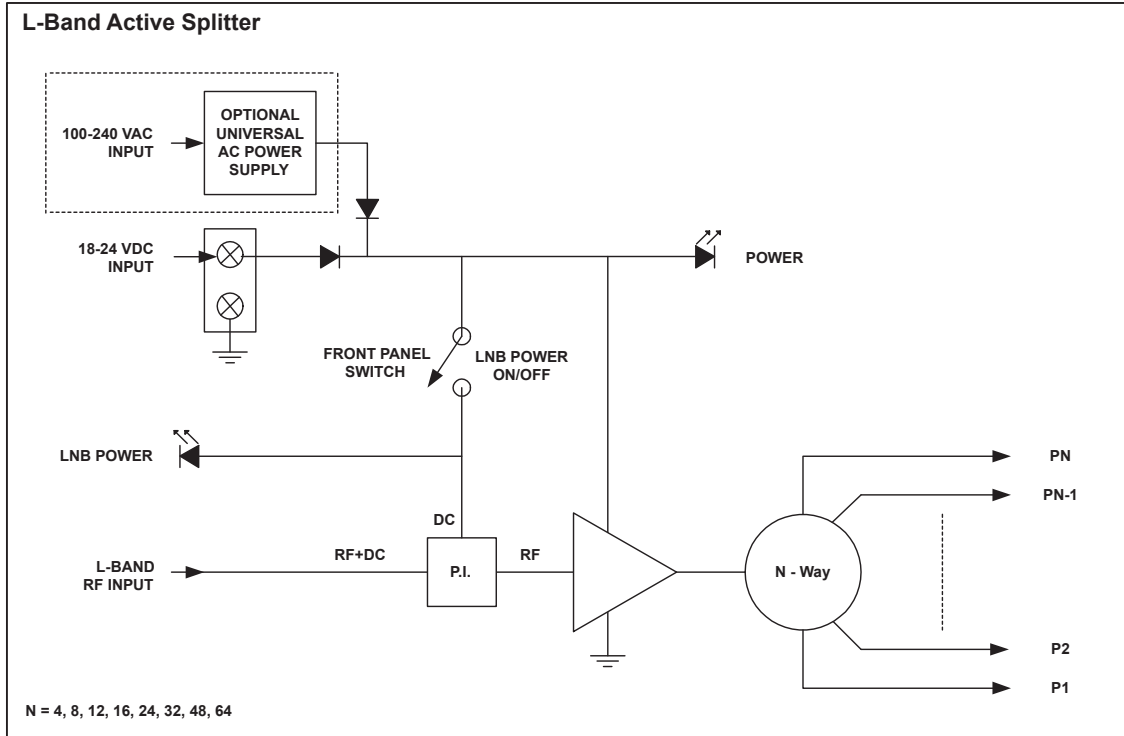
| Part Number | Description   |
|-------------|---|
| MN32ALFA    | 32-Way Active L-Band Splitter, 2RU, F Connectors, AC Powered    |
| MN24ALB     | 24-Way Active L-Band Splitter, 2RU, BNC Connectors              |
| MN24ALBA    | 24-Way Active L-Band Splitter, 2RU, BNC Connectors, AC Powered  |
| MN24ALF     | 24-Way Active L-Band Splitter, 2RU, F Connectors                |
| MN24ALFA    | 24-Way Active L-Band Splitter, 2RU, F Connectors, AC Powered    |
| MN16ALB     | 16-Way Active L-Band Splitter, 1RU, BNC Connectors              |
| MN16ALBA    | 16-Way Active L-Band Splitter, 1RU, BNC Connectors, AC Powered  |
| MN16ALF     | 16-Way Active L-Band Splitter, 1RU, F Connectors                |
| MN16ALFA    | 16-Way Active L-Band Splitter, 1RU, F Connectors, AC Powered    |
| MN12ALB     | 12-Way, Active L-Band Splitter, 1RU, BNC Connectors             |
| MN12ALBA    | 12-Way, Active L-Band Splitter, 1RU, BNC Connectors, AC Powered |
| MN12ALF     | 12-Way Active L-Band Splitter, 1RU, F Connectors                |
| MN12ALFA    | 12-Way Active L-Band Splitter, 1RU, F Connectors, AC Powered    |
| MN8ALB      | 8-Way Active L-Band Splitter, 1RU, BNC Connectors               |
| MN8ALBA     | 8-Way Active L-Band Splitter, 1RU, BNC Connectors, AC Powered   |
| MN8ALF      | 8-Way Active L-Band Splitter, 1RU, F Connectors                 |
| MN8ALFA     | 8-Way Active L-Band Splitter, 1RU, F Connectors, AC Powered     |
| MN4ALB      | 4-Way Active L-Band Splitter, 1RU, BNC Connectors               |
| MN4ALBA     | 4-Way Active L-Band Splitter, 1RU, BNC Connectors, AC Powered   |
| MN4ALF      | 4-Way Active L-Band Splitter, 1RU, F Connectors                 |
| MN4ALFA     | 4-Way Active L-Band Splitter, 1RU, F Connectors, AC Powered     |

\* Combiner versions of all splitter configurations also available.

## L-Band Signal Management

### L-Band Active Splitter\*:

#### Functional Schematic



\* Combiner versions of all splitter configurations also available.  
Specifications subject to change without notice.

