

MAXNET® II

Platinum Series

RF & Optical Signal Management

Patented
U.S.# 7,142,414



Passive Products

3RU Active Chassis
(front view)

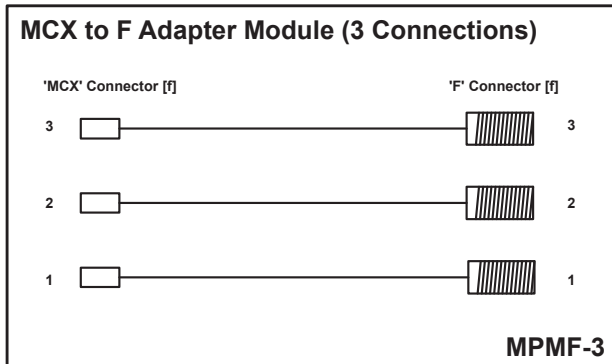
MCX to F Transition Module:

- ▶ High performance MCX & F connector

MCX to F Transition Module Specifications

IL < 0.2 dB, 5-1000 MHz
RL > 25 dB, 5-1000 MHz

Functional Schematic



Ordering Information

Part Number	Description
MPMF-3	Triple MCX-F Transition Module

Specifications subject to change without notice.



ISO
9001
REGISTERED

1-501 Clements Road West, Ajax, ON L1S 7H4 Canada
Tel (905) 428-6068 Toll Free (800) 565-7488 Fax (905) 427-1964 Toll Free Fax (866) 427-1964
www.atxnetworks.com support@atxnetworks.com

Printed in Canada

Rev. 07/11 (ANW0630)