

# MAXNET® II

Platinum Series

RF & Optical Signal Management

Patented  
U.S.# 7,142,414



3RU Active Chassis  
(front view)

## Active Products

### Power Supplies:

- ▶ 110, 220 VAC or -48 VDC to 24 VDC module offerings
- ▶ 24 VDC redundant powering (AC module - diode steered, DC module - true load share) is easily accommodated by installing two power supplies into an active chassis
- ▶ 24V rear terminal block output accommodates remote powering options
- ▶ Front LEDs indicate 24V power & power supply status
- ▶ Voltage, current, temperature, & fan status parameters are easily monitored over the network (HMS compliant (SNMP v2c)) or through a web browser; e-mail alarm notification is also supported
- ▶ Power supply module takes up 2 slots in MAXNET® II active chassis (total of 24 slots)

### Power Supply Specifications

ELECTRICAL SPECIFICATIONS	MPAC-110	MPAC-220	MPDC
<b>INPUT</b>			
INPUT VOLTAGE	110 VAC +/- 10%	220 VAC +/- 10%	-48.0 +/- 12.0 VDC
FREQ	50/60 Hz	50/60 Hz	DC
INPUT CURRENT (Max)	4.0 Amps AC	2.2 Amps AC	5.0 Amps DC (-48 VDC)
POWER FACTOR	> 0.6	> 0.6	NA
EFFICIENCY	> 0.8	> 0.8	> 0.8
<b>OUTPUT</b>			
OUTPUT VOLTAGE	24.0 +/- 1.0 VDC	24.0 +/- 1.0 VDC	24.0 +/- 1.0 VDC
DC OUTPUT CURRENT (Max)	8 Amps	8 Amps	8 Amps
RIPPLE VOLTAGE (Max)	200 mV P-P	200 mV P-P	200 mV P-P
MAXIMUM POWER OUTPUT	250 W	250 W	250 W
<b>OTHER</b>			
APPROVALS	Component: cULus, FCC Entire Module: Approvals Pending (cULus, FCC, CE)	Component: cULus, FCC Entire Module: Approvals Pending (cULus, FCC, CE)	Component: cULus, FCC Entire Module: Approvals Pending (cULus, FCC, CE)
24V POWER INDICATOR	Front: Green LED	Front: Green LED	Front: Green LED
ALARM STATUS	Front: Red Flash LED	Front: Red Flash LED	Front: Red Flash LED
TERMINAL BLOCK WIRING	# 12 AWG	# 12 AWG	# 12 AWG

### Rear Terminal Block Assignments

TB#	MPAC-110	MPAC-220	MPDC
1	GND	GND	GND
2	COM (1)	COM (1)	COM (1)
3	+24V OUT (1)	+24V OUT (1)	+24V OUT (1)
4			RTN
5			-48V

1. 24V output on rear panel terminal block allows for remote powering to other MAXNET II active chassis

### Ordering Information

Part Number	Description
MPAC-110	110 VAC to 24 VDC 250W Power Supply
MPAC-220	220 VAC to 24 VDC 250W Power Supply
MPDC	-48 VDC to 24 VDC 250W Power Supply

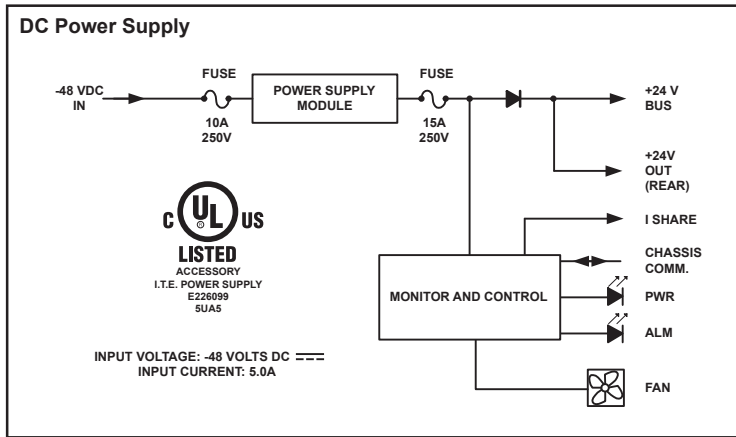
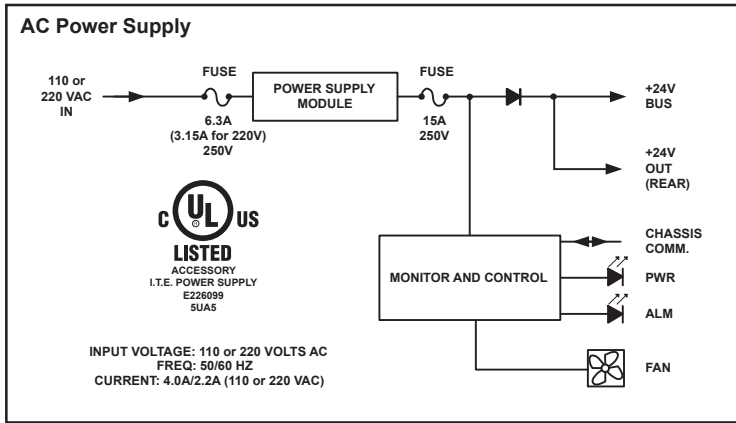
### View at Terminal Block

	MPAC-110 / MPAC-220	MPDC
1	GND	GND
2	COM	COM
3	+24V OUT	+24V OUT
4		RTN
5		-48V

## RF & Optical Signal Management

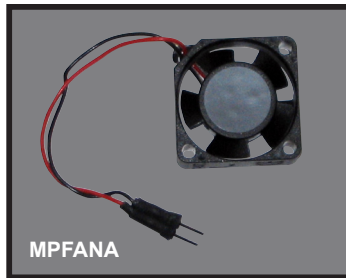
### Power Supplies:

### Functional Schematics



### Replacement Fan:

- ▶ Front access replacement fan



### Ordering Information

Part Number	Description
MPFANA	Replacement Fan for MAXNET II Receivers, Power Supplies & Amplifiers



Specifications subject to change without notice.

