

# MAXNET®

## L-Band Signal Management

Patented  
U.S.# 6,842,348;  
Cdn.# 2,404,844



5RU Active L-Band Chassis  
(front view)

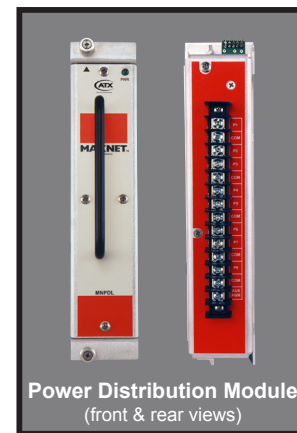
### Active Products

#### Power Distribution Module:

#### Power Distribution Module Specifications

SPECIFICATIONS	MNPDL
CHASSIS INTERFACE POWER INPUT	24V, 4A Max, Diode Steered
REAR TERMINAL BLOCK AUXILIARY POWER INPUT	24-28V, 4A Max, Diode Steered
REAR TERMINAL BLOCK OUTPUT POWER	24V, 500mA per Terminal Block Output <sup>(1)</sup>
OUTPUT CURRENT PROTECTION	800mA Current Limit on Each Power Output

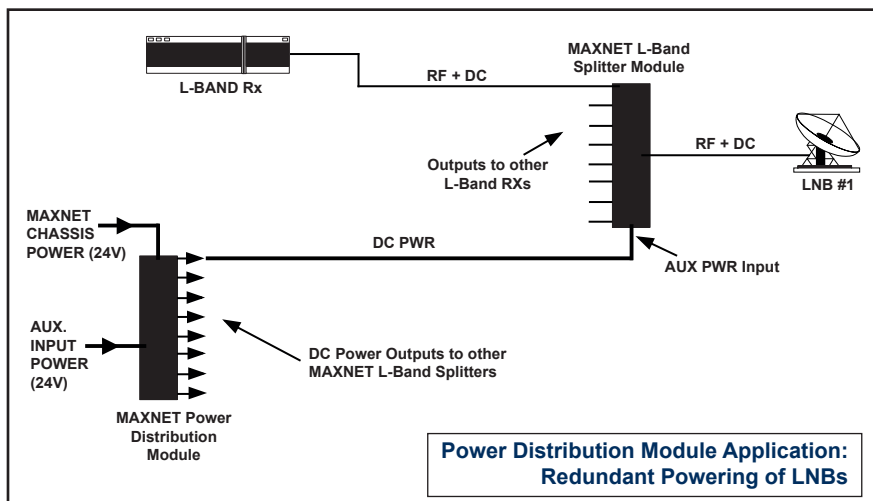
**NOTE:**  
(1) Total of 8 rear terminal block outputs. Wire Gauge: AWG#18-24.



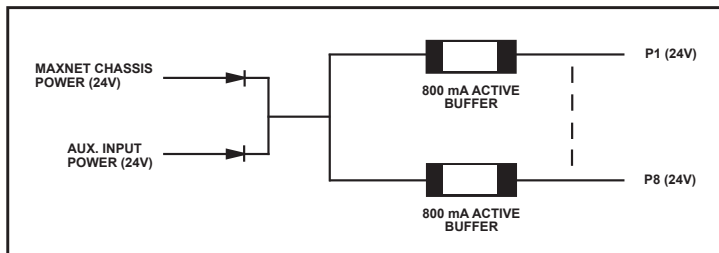
Power Distribution Module  
(front & rear views)

#### Rear Panel Terminal Block Assignment Specifications

TB #	MNPDL
1	P1
2	COM
3	P2
4	P3
5	COM
6	P4
7	P5
8	COM
9	P6
10	P7
11	COM
12	P8
13	COM
14	AUX PWR



#### Functional Schematic



#### Ordering Information

Part Number	Description
MNPDL	Power Distribution Module

Specifications subject to change without notice.  
MAXNET specifications are only valid when ATX  
plug-in pads & EQs are used.



ISO  
9001  
REGISTERED

1-501 Clements Road West, Ajax, ON L1S 7H4 Canada  
Tel (905) 428-6068 Toll Free (800) 565-7488 Fax (905) 427-1964 Toll Free Fax (866) 427-1964  
www.atxnetworks.com support@atxnetworks.com